



Magnetic sensitivity cylinder sensor

Magnetic cylinder sensor table of Contents

Table of Contents

C -slot	3.1
T -slot	3.2
J -slot	3.3



Magnetic cylinder sensor - Fits your cylinder perfectly

Compact magnetic cylinder sensors that are perfectly matched to cylinders with different slots. As a result, it can not only be installed flush in different grooves, but also perfectly fitted.

- Insert from above or side
- Cable type or plug type
- Compact design

Y-Twin ® — Two sensors share one plug M8 or M12 standard plug

- With 4-core or 3-core cable
- Reduce material usage
- Quick install
- lower the cost
- Two switches occupy only one port of functional module/junction box



Magnetic cylinder sensor

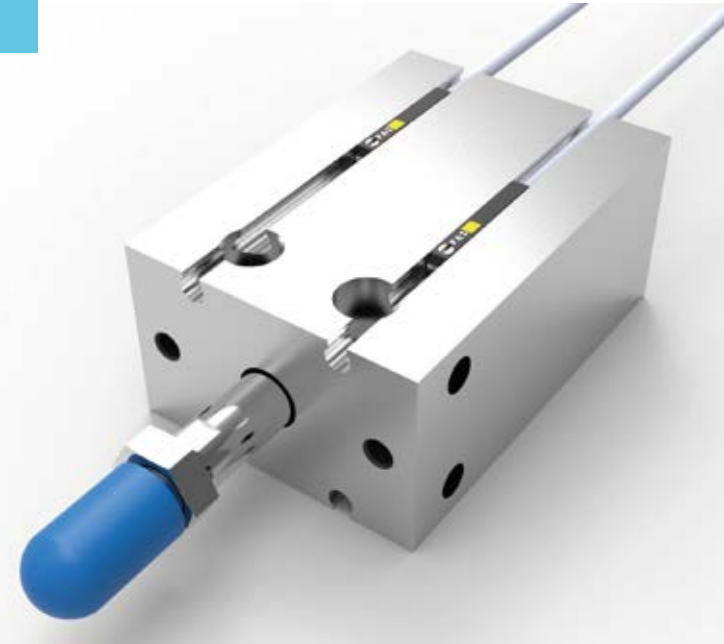
Compact design

Securely snaps into slot
The design is perfectly slot-concated, i.e. the sensor can be fully inserted into the slot.

Easy installation and adjustment, fixed elements integrated into the sensor.

It can also be used in space-critical applications with flush mounting where the sensor is "hidden" in the slot.

Optimal solution for mechanical grippers and short-stroke cylinders, mini design (very short)



C-slot (Round)

Magnetic cylinder sensor

Compact design



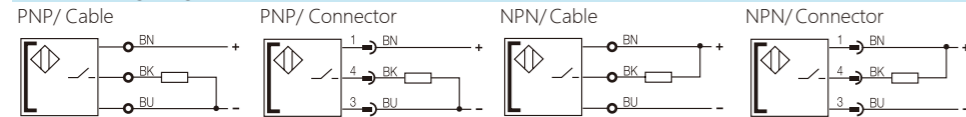
Characteristic		Can be fixed in SMC C-slot, with M8 plug	Can be fixed in SMC C-slot, with M8 plug	Can be fixed in SMC C-slot, with M12 plug	Can be fixed in SMC C-slot, with M12 plug	Can be fixed in SMC C-slot, with free cable
PNP(Normally open)	Order code Part number	45C001-xxx FIS-9M-PO-S-E-M8-xxx	45C041-xxx FIS-9M-PO-D-E-M8Y-xxx	45C081-xxx FIS-9M-PO-S-E-M12-xxx	45C121-xxx FIS-9M-PO-D-E-M12Y-xxx	45C161-xxx FIS-9M-PO-S-E-OE-xxx
NPN(Normally open)	Order code Part number	45C021-xxx FIS-9M-NO-S-E-M8-xxx	45C061-xxx FIS-9M-NO-D-E-M8Y-xxx	45C101-xxx FIS-9M-NO-S-E-M12-xxx	45C141-xxx FIS-9M-NO-D-E-M12Y-xxx	45C181-xxx FIS-9M-NO-S-E-OE-xxx
2-wire(PLC module PNP)	Order code Part number	45C023-xxx FIS-9M-BO-S-E-M8-xxx	45C063-xxx FIS-9M-BO-D-E-M8Y-xxx	45C103-xxx FIS-9M-BO-S-E-M12-xxx	45C143-xxx FIS-9M-BO-D-E-M12Y-xxx	45C183-xxx FIS-9M-BO-S-E-OE-xxx
2-wire(PLC module NPN)	Order code Part number	45C025-xxx FIS-9M-DO-S-E-M8-xxx	45C065-xxx FIS-9M-DO-D-E-M8Y-xxx	45C105-xxx FIS-9M-DO-S-E-M12-xxx	45C145-xxx FIS-9M-DO-D-E-M12Y-xxx	45C185-xxx FIS-9M-DO-S-E-OE-xxx
Supply voltage U_b		10...30 V DC	10...30 V DC	10...30 V DC	10...30 V DC	10...30 V DC
Voltage drop U_a		≤ 2.5 V	≤ 2.5 V	≤ 2.5 V	≤ 2.5 V	≤ 2.5 V
Rated insulation voltage U_i		75 V DC	75 V DC	75 V DC	75 V DC	75 V DC
Rated working current I_e		100 mA	100 mA	100 mA	100 mA	100 mA
No-load supply current I_o max		≤ 8 mA	≤ 8 mA	≤ 8 mA	≤ 8 mA	≤ 8 mA
Reverse polarity protection/power-signal short-circuit protection		Yes/Yes	Yes/Yes	Yes/Yes	Yes/Yes	Yes/Yes
Rated switching magnetic field strength I_{H_n}		1.2 kA/m	1.2 kA/m	1.2 kA/m	1.2 kA/m	1.2 kA/m
Safely flip the magnetic field strength I_{H_a}		≥ 2 kA/m	≥ 2 kA/m	≥ 2 kA/m	≥ 2 kA/m	≥ 2 kA/m
I_{H_n} Temperature drift of connecting point		$\leq 0.3\%/^{\circ}\text{C}$	$\leq 0.3\%/^{\circ}\text{C}$	$\leq 0.3\%/^{\circ}\text{C}$	$\leq 0.3\%/^{\circ}\text{C}$	$\leq 0.3\%/^{\circ}\text{C}$
On/Off delay		≤ 0.07 ms / ≤ 0.07 ms	≤ 0.07 ms / ≤ 0.07 ms	≤ 0.07 ms / ≤ 0.07 ms	≤ 0.07 ms / ≤ 0.07 ms	≤ 0.07 ms / ≤ 0.07 ms
Ambient temperature T_a		-25...+85 $^{\circ}$ C	-25...+85 $^{\circ}$ C	-25...+85 $^{\circ}$ C	-25...+85 $^{\circ}$ C	-25...+85 $^{\circ}$ C
Degree of protection as per IEC 60529		IP 67	IP 67	IP 67	IP 67	IP 67
Certification		CE	CE	CE	CE	CE
Shell material		PA 12	PA 12	PA 12	PA 12	PA 12
Connection		Cable with M8 plug (3pin)	Cable with M8 plug (4pin)	Cable with M12 plug (3pin)	Cable with M12 plug (4pin)	Cable with free end
Installation method		Can be inserted from the side	Can be inserted from the side	Can be inserted from the side	Can be inserted from the side	Can be inserted from the side
Slot		C-slot(Round)	C-slot(Round)	C-slot(Round)	C-slot(Round)	C-slot(Round)

Y-Twin - two sensors share one plug

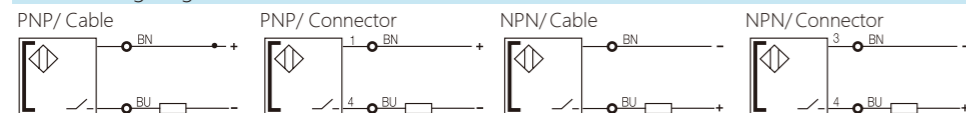
- Save plugs and add value.
- Two sensors share an electrical interface
- Flexible detection of multiple positions on pneumatic grippers and cylinders.

Remarks: xxx= cable length, can be customized according to needs when ordering, the cable length is increased by 0.5m, for example: 005=0.5m, 010=1m, 015=1.5m

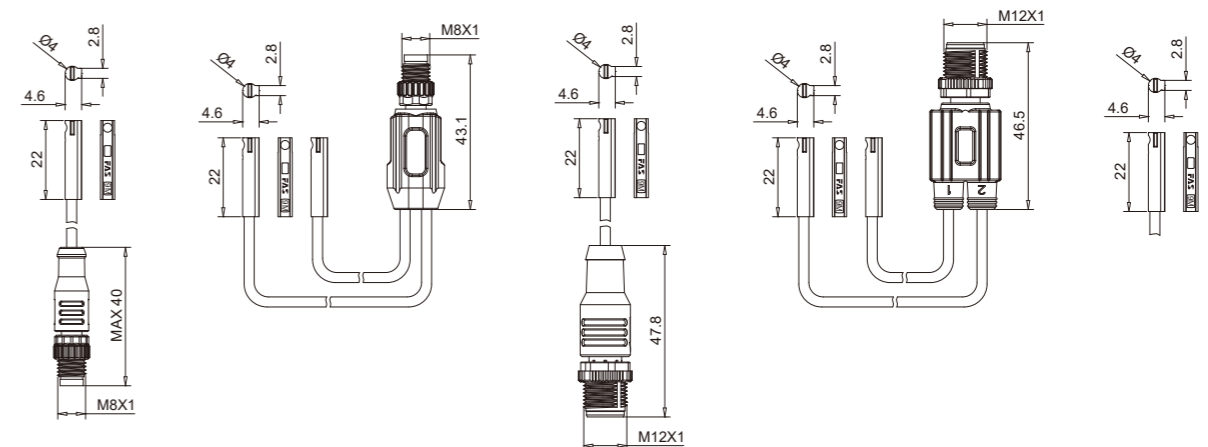
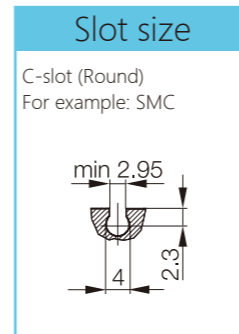
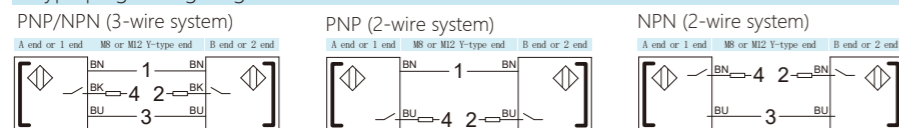
3-wire Wiring diagram



2-wire Wiring diagram



Y-type plug Wiring diagram



Recommended accessories (See 3.3.03)
(Please order separately)

Magnetic cylinder sensor

Compact design

Secure snaps into the slot
The design is perfectly slot-concated, i.e. the sensor can be fully inserted into the slot.

Installation and adjustment are easy and easy
Fixing elements are integrated into the sensor.

It can also be used in space-critical applications with flush mounting where the sensor is "hidden" in the slot.

Optimal solution for mechanical grippers and short-stroke cylinders, mini design (very short)



Y-Twin - two sensors share one plug

- Save plugs, add value.
- Both sensors share a single electrical interface.
- Multiple positions on pneumatic grippers and cylinders can be flexibly detected.

C-slot (Round)

Magnetic cylinder sensor

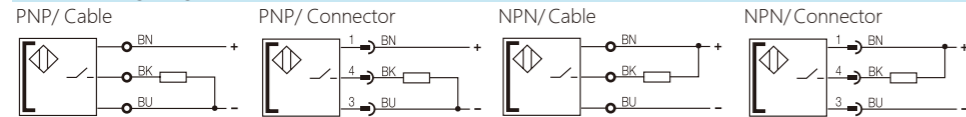
Compact design



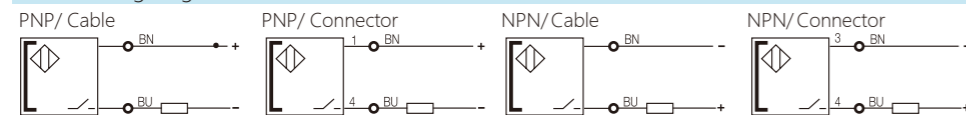
Characteristic		Can be fixed in SMC C-slot, with M8 plug	Can be fixed in SMC C-slot, with M8 plug	Can be fixed in SMC C-slot, with M12 plug	Can be fixed in SMC C-slot, with M12 plug	Can be fixed in SMC C-slot, with free cable
PNP(Normally open)	Order code Part number	45C201-xxx FIS-9Q-PO-S-E-M8-xxx	45C241-xxx FIS-9Q-PO-D-E-M8Y-xxx	45C281-xxx FIS-9Q-PO-S-E-M12-xxx	45C321-xxx FIS-9Q-PO-D-E-M12Y-xxx	45C361-xxx FIS-9Q-PO-S-E-OE-xxx
NPN(Normally open)	Order code Part number	45C221-xxx FIS-9Q-NO-S-E-M8-xxx	45C261-xxx FIS-9Q-NO-D-E-M8Y-xxx	45C301-xxx FIS-9Q-NO-S-E-M12-xxx	45C341-xxx FIS-9Q-NO-D-E-M12Y-xxx	45C381-xxx FIS-9Q-NO-S-E-OE-xxx
2-wire(PLC module PNP)	Order code Part number	45C223-xxx FIS-9Q-BO-S-E-M8-xxx	45C263-xxx FIS-9Q-BO-D-E-M8Y-xxx	45C303-xxx FIS-9Q-BO-S-E-M12-xxx	45C343-xxx FIS-9Q-BO-D-E-M12Y-xxx	45C383-xxx FIS-9Q-BO-S-E-OE-xxx
2-wire(PLC moduleNPN)	Order code Part number	45C225-xxx FIS-9Q-DO-S-E-M8-xxx	45C265-xxx FIS-9Q-DO-D-E-M8Y-xxx	45C305-xxx FIS-9Q-DO-S-E-M12-xxx	45C345-xxx FIS-9Q-DO-D-E-M12Y-xxx	45C385-xxx FIS-9Q-DO-S-E-OE-xxx
Supply voltage U_b		10...30 V DC	10...30 V DC	10...30 V DC	10...30 V DC	10...30 V DC
Voltage drop U_a		≤ 2.5 V	≤ 2.5 V	≤ 2.5 V	≤ 2.5 V	≤ 2.5 V
Rated insulation voltage U_i		75 V DC	75 V DC	75 V DC	75 V DC	75 V DC
Rated working current I_e		100 mA	100 mA	100 mA	100 mA	100 mA
No-load supply current I_o max		≤ 8 mA	≤ 8 mA	≤ 8 mA	≤ 8 mA	≤ 8 mA
Reverse polarity protection/power-signal short-circuit protection		Yes/Yes	Yes/Yes	Yes/Yes	Yes/Yes	Yes/Yes
Rated switching magnetic field strength I_{H_n}		1.2 kA/m	1.2 kA/m	1.2 kA/m	1.2 kA/m	1.2 kA/m
Safely flip the magnetic field strength I_{H_n}		≥ 2 kA/m	≥ 2 kA/m	≥ 2 kA/m	≥ 2 kA/m	≥ 2 kA/m
I_{H_n} Temperature drift of connecting point		$\leq 0.3\%/^{\circ}\text{C}$	$\leq 0.3\%/^{\circ}\text{C}$	$\leq 0.3\%/^{\circ}\text{C}$	$\leq 0.3\%/^{\circ}\text{C}$	$\leq 0.3\%/^{\circ}\text{C}$
On/Off delay		≤ 0.07 ms/ ≤ 0.07 ms	≤ 0.07 ms/ ≤ 0.07 ms	≤ 0.07 ms/ ≤ 0.07 ms	≤ 0.07 ms/ ≤ 0.07 ms	≤ 0.07 ms/ ≤ 0.07 ms
Ambient temperature T_a		-25...+85° C	-25...+85° C	-25...+85° C	-25...+85° C	-25...+85° C
Degree of protection as per IEC 60529		IP 67	IP 67	IP 67	IP 67	IP 67
Certification		CE	CE	CE	CE	CE
Shell material		PA 12	PA 12	PA 12	PA 12	PA 12
Connection		Cable with M8 plug (3pin)	Cable with M8 plug (4pin)	Cable with M12 plug (3pin)	Cable with M12 plug (4pin)	Cable with free end
Installation method		Can be inserted from the side	Can be inserted from the side	Can be inserted from the side	Can be inserted from the side	Can be inserted from the side
Slot		C-slot(Round)	C-slot(Round)	C-slot(Round)	C-slot(Round)	C-slot(Round)

Remarks: xxx= cable length, can be customized according to needs when ordering, the cable length is increased by 0.5m, for example: 005=0.5m, 010=1m, 015=1.5m

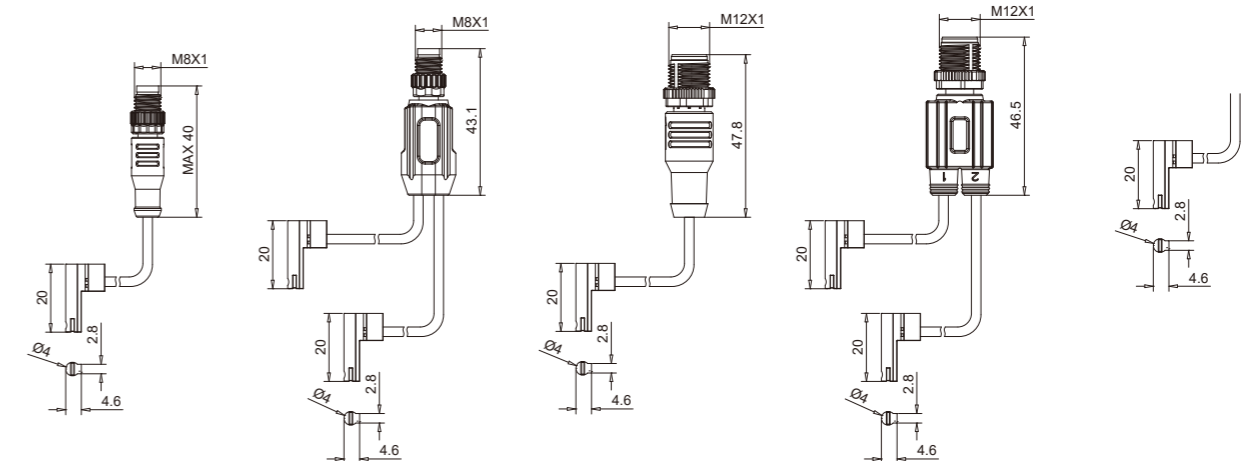
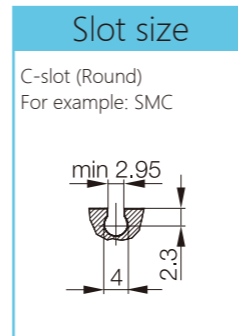
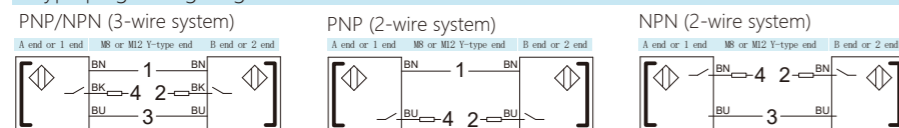
3-wire Wiring diagram



2-wire Wiring diagram



Y-type plug Wiring diagram



Recommended accessories (See 3.3.03) (Please order separately)

Magnetic cylinder sensor

Compact design

Securely click into the slot
 The design is fully matched to the slot, that is, the sensor can be fully inserted into the slot.
 Installation and adjustment are convenient and simple
 The fixing element is integrated in the sensor.
 Can also be used in applications with strict space requirements
 With flush mounting, the sensor is "hidden" in the slot.
 Provide the best solution for mechanical grippers and short-stroke cylinders
 Mini design (very short type)



C-slot (Round)

Magnetic cylinder sensor

Compact design

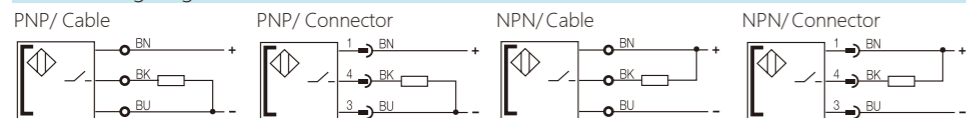


Characteristic		Can be fixed in SMC C-slot, with M8 plug	Can be fixed in SMC C-slot, with M8 plug	Can be fixed in SMC C-slot, with M12 plug	Can be fixed in SMC C-slot, with M12 plug	Can be fixed in SMC C-slot, with free cable
PNP(Normally open)	Order code	45C401-xxx	45C441-xxx	45C481-xxx	45C521-xxx	45C561-xxx
	Part number	FIS-9G-PO-S-E-M8-xxx	FIS-9G-PO-D-E-M8Y-xxx	FIS-9G-PO-S-E-M12-xxx	FIS-9G-PO-D-E-M12Y-xxx	FIS-9G-PO-S-E-OE-xxx
NPN(Normally open)	Order code	45C421-xxx	45C461-xxx	45C501-xxx	45C541-xxx	45C581-xxx
	Part number	FIS-9G-NO-S-E-M8-xxx	FIS-9G-NO-D-E-M8Y-xxx	FIS-9G-NO-S-E-M12-xxx	FIS-9G-NO-D-E-M12Y-xxx	FIS-9G-NO-S-E-OE-xxx
Supply voltage U_b		10...30 V DC	10...30 V DC	10...30 V DC	10...30 V DC	10...30 V DC
Voltage drop U_a		≤ 2.5 V	≤ 2.5 V	≤ 2.5 V	≤ 2.5 V	≤ 2.5 V
Rated insulation voltage U_i		75 V DC	75 V DC	75 V DC	75 V DC	75 V DC
Rated working current I_e		100 mA	100 mA	100 mA	100 mA	100 mA
No-load supply current I_o max		≤ 8 mA	≤ 8 mA	≤ 8 mA	≤ 8 mA	≤ 8 mA
Reverse polarity protection/power-signal short-circuit protection		Yes/Yes	Yes/Yes	Yes/Yes	Yes/Yes	Yes/Yes
Rated switching magnetic field strength I_H		1.2 kA/m	1.2 kA/m	1.2 kA/m	1.2 kA/m	1.2 kA/m
Safely flip the magnetic field strength I_{Hs}		≥ 2 kA/m	≥ 2 kA/m	≥ 2 kA/m	≥ 2 kA/m	≥ 2 kA/m
I_H Temperature drift of connecting point		≤ 0.3%/°C	≤ 0.3%/°C	≤ 0.3%/°C	≤ 0.3%/°C	≤ 0.3%/°C
On/Off delay		≤ 0.07 ms/ ≤ 0.07 ms	≤ 0.07 ms/ ≤ 0.07 ms	≤ 0.07 ms/ ≤ 0.07 ms	≤ 0.07 ms/ ≤ 0.07 ms	≤ 0.07 ms/ ≤ 0.07 ms
Ambient temperature T_a		-25...+85° C	-25...+85° C	-25...+85° C	-25...+85° C	-25...+85° C
Degree of protection as per IEC 60529		IP 67	IP 67	IP 67	IP 67	IP 67
Certification		CE	CE	CE	CE	CE
Shell material		PA 12	PA 12	PA 12	PA 12	PA 12
Connection		Cable with M8 plug (3pin)	Cable with M8 plug (4pin)	Cable with M12 plug (3pin)	Cable with M12 plug (4pin)	Cable with free end
Installation method		Can be inserted from the side	Can be inserted from the side	Can be inserted from the side	Can be inserted from the side	Can be inserted from the side
Slot		C-slot(Round)	C-slot(Round)	C-slot(Round)	C-slot(Round)	C-slot(Round)

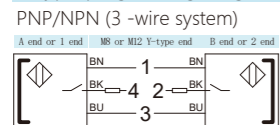
Remarks: xxx= cable length, can be customized according to needs when ordering, the cable length is increased by 0.5m, for example: 005=0.5m, 010=1m, 015=1.5m



3-wire Wiring diagram

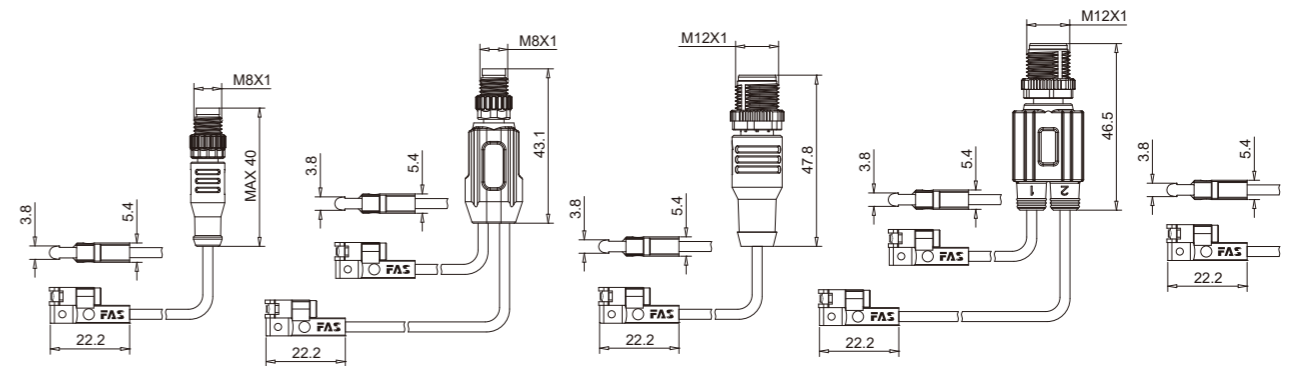
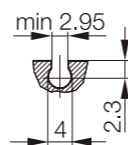


Y-type plug Wiring diagram



Slot size

C-slot (Round)
 For example: SMC



Recommended accessories (See 3.3.03)
 (Please order separately)

Magnetic cylinder sensor

Compact design

Can be installed from above. It can be easily installed with an Allen wrench or slotted screwdriver.



T-slot

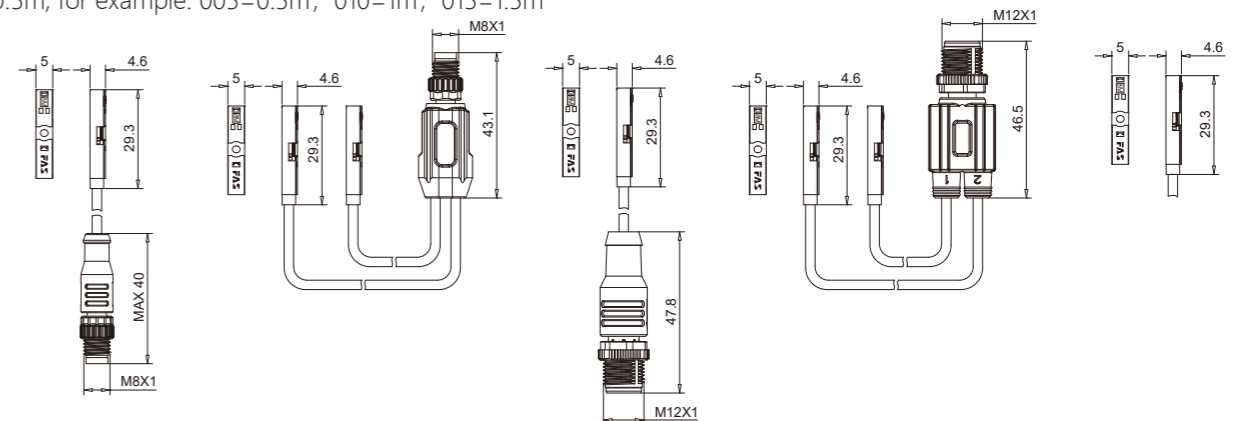
Magnetic cylinder sensor

Compact design

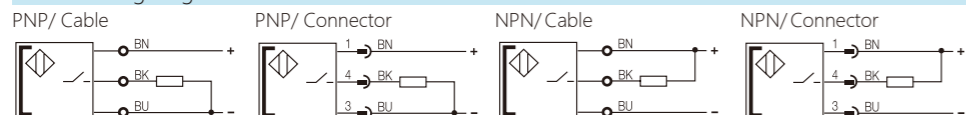


Characteristic		Can be fixed in Festo& SMC T-slot, with M8 plug	Can be fixed in Festo& SMC T-slot, with M8 plug	Can be fixed in Festo& SMC T-slot, with M12 plug	Can be fixed in Festo& SMC T-slot, with M12 plug	Can be fixed in Festo& SMC T-slot, with free end cable
PNP(Normally open)	Order code Part number	4FT001-xxx FIS-8M-PO-S-E-M8-xxx	4FT041-xxx FIS-8M-PO-D-E-M8Y-xxx	4FT081-xxx FIS-8M-PO-S-E-M12-xxx	4FT121-xxx FIS-8M-PO-D-E-M12Y-xxx	4FT161-xxx FIS-8M-PO-S-E-OE-xxx
NPN(Normally open)	Order code Part number	4FT021-xxx FIS-8M-NO-S-E-M8-xxx	4FT061-xxx FIS-8M-NO-D-E-M8Y-xxx	4FT101-xxx FIS-8M-NO-S-E-M12-xxx	4FT141-xxx FIS-8M-NO-D-E-M12Y-xxx	4FT181-xxx FIS-8M-NO-S-E-OE-xxx
Supply voltage U_b		10...30 V DC	10...30 V DC	10...30 V DC	10...30 V DC	10...30 V DC
Voltage drop U_a		≤ 2.5 V	≤ 2.5 V	≤ 2.5 V	≤ 2.5 V	≤ 2.5 V
Rated insulation voltage U_i		75 V DC	75 V DC	75 V DC	75 V DC	75 V DC
Rated working current I_e		100 mA	100 mA	100 mA	100 mA	100 mA
No-load supply current I_o max		≤ 8 mA	≤ 8 mA	≤ 8 mA	≤ 8 mA	≤ 8 mA
Reverse polarity protection/power-signal short-circuit protection		Yes/Yes	Yes/Yes	Yes/Yes	Yes/Yes	Yes/Yes
Rated switching magnetic field strength I_{H_n}		1.2 kA/m	1.2 kA/m	1.2 kA/m	1.2 kA/m	1.2 kA/m
Safely flip the magnetic field strength I_{H_a}		≥ 2 kA/m	≥ 2 kA/m	≥ 2 kA/m	≥ 2 kA/m	≥ 2 kA/m
I_{H_n} Temperature drift of connecting point		$\leq 0.3\%/^{\circ}\text{C}$	$\leq 0.3\%/^{\circ}\text{C}$	$\leq 0.3\%/^{\circ}\text{C}$	$\leq 0.3\%/^{\circ}\text{C}$	$\leq 0.3\%/^{\circ}\text{C}$
On/Off delay		≤ 0.07 ms/ ≤ 0.07 ms	≤ 0.07 ms/ ≤ 0.07 ms	≤ 0.07 ms/ ≤ 0.07 ms	≤ 0.07 ms/ ≤ 0.07 ms	≤ 0.07 ms/ ≤ 0.07 ms
Ambient temperature T_a		-25...+85° C	-25...+85° C	-25...+85° C	-25...+85° C	-25...+85° C
Degree of protection as per IEC 60529		IP 67	IP 67	IP 67	IP 67	IP 67
Certification		CE	CE	CE	CE	CE
Shell material		PA 12	PA 12	PA 12	PA 12	PA 12
Connection		Cable with M8 plug (3pin)	Cable with M8 plug (4pin)	Cable with M12 plug (3pin)	Cable with M12 plug (4pin)	Cable with free end
Installation method		Can be installed from above	Can be installed from above	Can be installed from above	Can be installed from above	Can be installed from above
Slot		25 T -slot	25 T -slot	25 T -slot	25 T -slot	25 T -slot

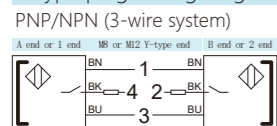
Remarks: xxx= cable length, can be customized according to needs when ordering, the cable length is increased by 0.5m, for example: 005=0.5m, 010=1m, 015=1.5m



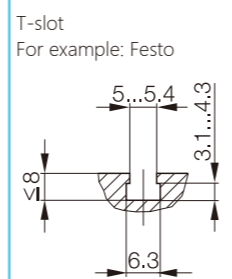
3-wire Wiring diagram



Y-type plug Wiring diagram



Slot size



Recommended accessories (See 3.3.03)
(Please order separately)

Magnetic cylinder sensor

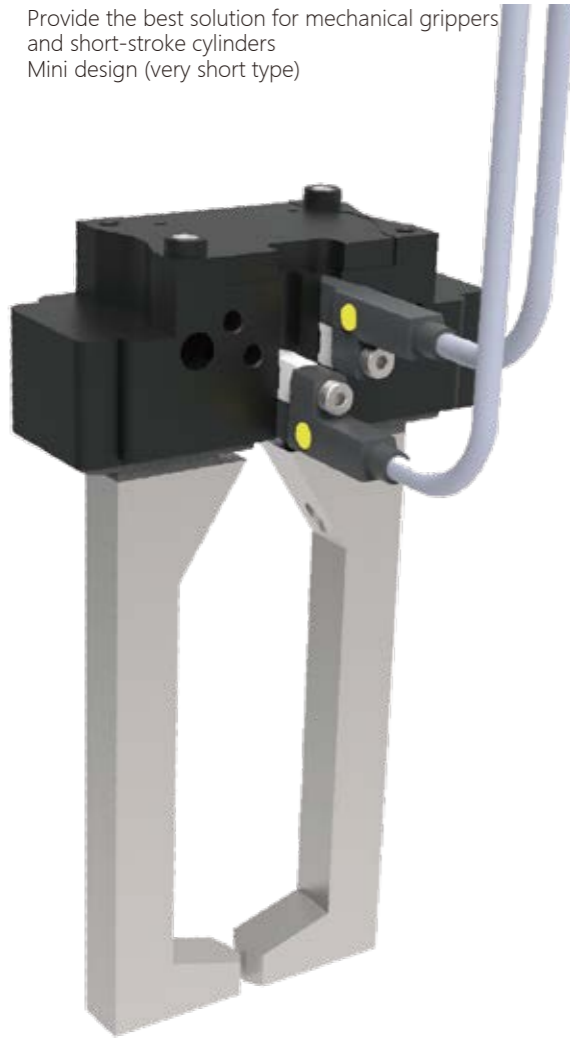
Compact design

Securely click into the slot
The design is fully matched to the slot, that is, the sensor can be fully inserted into the slot.

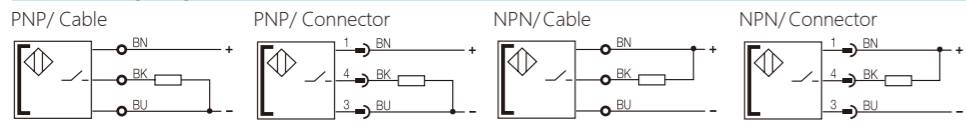
Installation and adjustment are convenient and simple
The fixing element is integrated in the sensor.

Can also be used in applications with strict space requirements.
With flush mounting, the sensor is "hidden" in the slot.

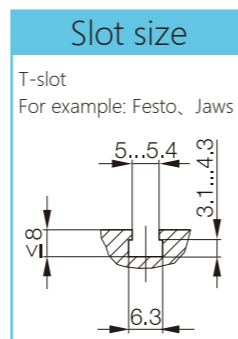
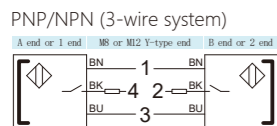
Provide the best solution for mechanical grippers and short-stroke cylinders
Mini design (very short type)



3-wire Wiring diagram



Y-type plug Wiring diagram



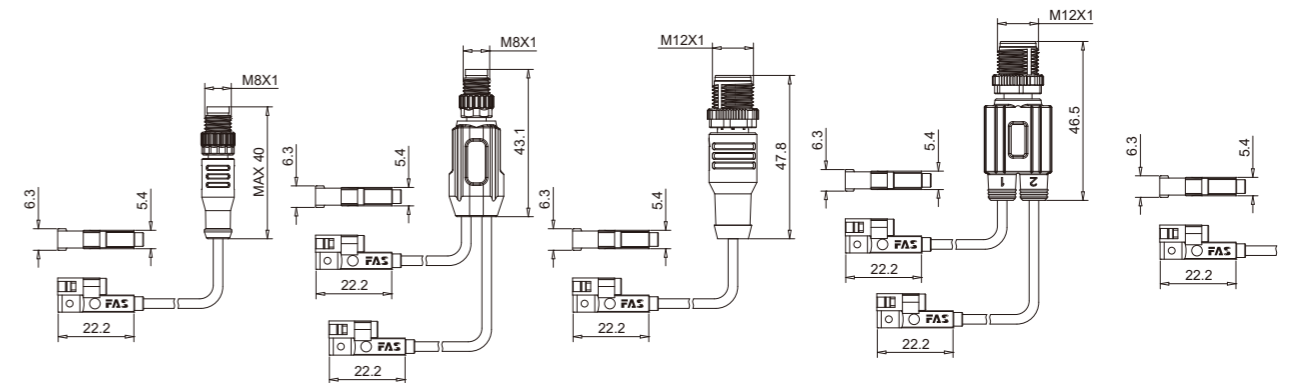
Magnetic cylinder sensor

Compact design



Characteristic		Can be fixed in Festo T-slot, with M8 plug	Can be fixed in Festo T-slot, with M8 plug	Can be fixed in Festo T-slot, with M12 plug	Can be fixed in Festo T-slot, with M12 plug	Can be fixed in Festo T-slot, with free end cable
PNP(Normally open)	Order code	4FT201-xxx	4FT241-xxx	4FT281-xxx	4FT321-xxx	4FT361-xxx
	Part number	FIS-8G-PO-S-E-M8-xxx	FIS-8G-PO-D-E-M8Y-xxx	FIS-8G-PO-S-E-M12-xxx	FIS-8G-PO-D-E-M12Y-xxx	FIS-8G-PO-S-E-OE-xxx
NPN(Normally open)	Order code	4FT221-xxx	4FT261-xxx	4FT301-xxx	4FT341-xxx	4FT381-xxx
	Part number	FIS-8G-NO-S-E-M8-xxx	FIS-8G-NO-D-E-M8Y-xxx	FIS-8G-NO-S-E-M12-xxx	FIS-8G-NO-D-E-M12Y-xxx	FIS-8G-NO-S-E-OE-xxx
Supply voltage U_B		10...30 V DC	10...30 V DC	10...30 V DC	10...30 V DC	10...30 V DC
Voltage drop U_d		≤ 2.5 V	≤ 2.5 V	≤ 2.5 V	≤ 2.5 V	≤ 2.5 V
Rated insulation voltage U_i		75 V DC	75 V DC	75 V DC	75 V DC	75 V DC
Rated working current I_e		100 mA	100 mA	100 mA	100 mA	100 mA
No-load supply current I_o max		≤ 8 mA	≤ 8 mA	≤ 8 mA	≤ 8 mA	≤ 8 mA
Reverse polarity protection/power-signal short-circuit protection		Yes/Yes	Yes/Yes	Yes/Yes	Yes/Yes	Yes/Yes
Rated switching magnetic field strength I_{H_n}		1.2 kA/m	1.2 kA/m	1.2 kA/m	1.2 kA/m	1.2 kA/m
Safely flip the magnetic field strength I_{H_a}		≥ 2 kA/m	≥ 2 kA/m	≥ 2 kA/m	≥ 2 kA/m	≥ 2 kA/m
I_{H_n} Temperature drift of connecting point		$\leq 0.3\%/^{\circ}\text{C}$	$\leq 0.3\%/^{\circ}\text{C}$	$\leq 0.3\%/^{\circ}\text{C}$	$\leq 0.3\%/^{\circ}\text{C}$	$\leq 0.3\%/^{\circ}\text{C}$
On/Off delay		≤ 0.07 ms/ ≤ 0.07 ms	≤ 0.07 ms/ ≤ 0.07 ms	≤ 0.07 ms/ ≤ 0.07 ms	≤ 0.07 ms/ ≤ 0.07 ms	≤ 0.07 ms/ ≤ 0.07 ms
Ambient temperature T_a		-25...+85° C	-25...+85° C	-25...+85° C	-25...+85° C	-25...+85° C
Degree of protection as per IEC 60529		IP 67	IP 67	IP 67	IP 67	IP 67
Certification		CE	CE	CE	CE	CE
Shell material		PA 12	PA 12	PA 12	PA 12	PA 12
Connection		Cable with M8 plug (3pin)	Cable with M8 plug (4pin)	Cable with M12 plug (3pin)	Cable with M12 plug (4pin)	Cable with free end
Installation method		Can be inserted from the side	Can be inserted from the side	Can be inserted from the side	Can be inserted from the side	Can be inserted from the side
Slot		┌┐ T-slot	┌┐ T-slot	┌┐ T-slot	┌┐ T-slot	┌┐ T-slot

Remarks: xxx= cable length, can be customized according to needs when ordering, the cable length is increased by 0.5m, for example: 005=0.5m, 010=1m, 015=1.5m



Recommended accessories (See 3.3.03)
(Please order separately)

Magnetic cylinder sensor

Compact design

Can be installed from above. It can be easily installed with an Allen wrench or slotted screwdriver.



C-slot (No. 10 slot)

Magnetic cylinder sensor

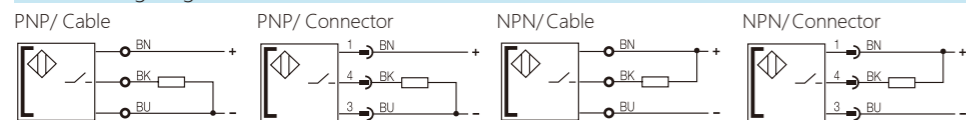
Compact design



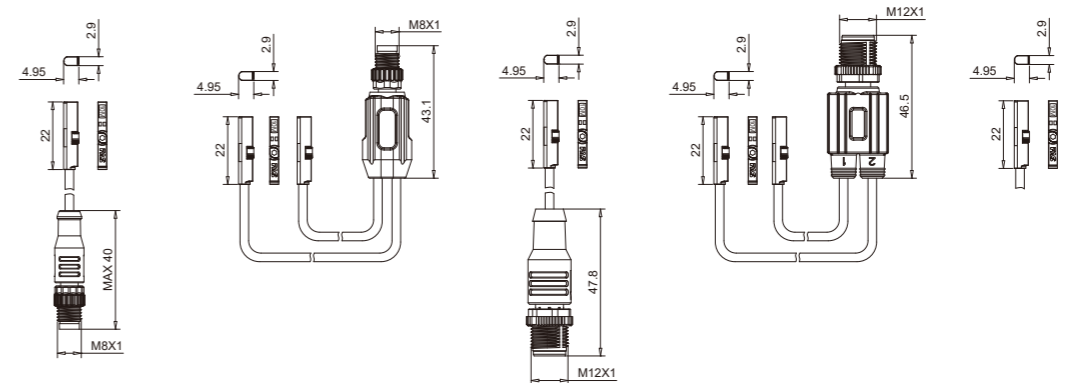
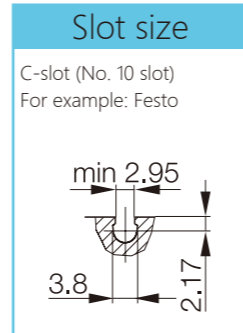
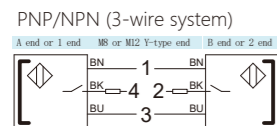
Characteristic		Can be fixed in Festo C-slot, with M8 plug	Can be fixed in Festo C-slot, with M8 plug	Can be fixed in Festo C-slot, with M12 plug,	Can be fixed in Festo C-slot, with M12 plug	Can be fixed in Festo C-slot, with free end cable
PNP(Normally open)	Order code Part number	4FC001-xxx FIS-10M-PO-S-E-M8-xxx	4FC041-xxx FIS-10M-PO-D-E-M8Y-xxx	4FC081-xxx FIS-10M-PO-S-E-M12-xxx	4FC121-xxx FIS-10M-PO-D-E-M12Y-xxx	4FC161-xxx FIS-10M-PO-S-E-OE-xxx
NPN(Normally open)	Order code Part number	4FC021-xxx FIS-10M-NO-S-E-M8-xxx	4FC061-xxx FIS-10M-NO-D-E-M8Y-xxx	4FC101-xxx FIS-10M-NO-S-E-M12-xxx	4FC141-xxx FIS-10M-NO-D-E-M12Y-xxx	4FC181-xxx FIS-10M-NO-S-E-OE-xxx
Supply voltage U_b		10...30 V DC	10...30 V DC	10...30 V DC	10...30 V DC	10...30 V DC
Voltage drop U_d		≤ 2.5 V	≤ 2.5 V	≤ 2.5 V	≤ 2.5 V	≤ 2.5 V
Rated insulation voltage U_i		75 V DC	75 V DC	75 V DC	75 V DC	75 V DC
Rated working current I_e		100 mA	100 mA	100 mA	100 mA	100 mA
No-load supply current I_o max		≤ 8 mA	≤ 8 mA	≤ 8 mA	≤ 8 mA	≤ 8 mA
Reverse polarity protection/power-signal short-circuit protection		Yes/Yes	Yes/Yes	Yes/Yes	Yes/Yes	Yes/Yes
Rated switching magnetic field strength $ H_n $		1.2 kA/m	1.2 kA/m	1.2 kA/m	1.2 kA/m	1.2 kA/m
Safely flip the magnetic field strength $ H_a $		≥ 2 kA/m	≥ 2 kA/m	≥ 2 kA/m	≥ 2 kA/m	≥ 2 kA/m
$ H_n $ Temperature drift of connecting point		$\leq 0.3\%/^{\circ}\text{C}$	$\leq 0.3\%/^{\circ}\text{C}$	$\leq 0.3\%/^{\circ}\text{C}$	$\leq 0.3\%/^{\circ}\text{C}$	$\leq 0.3\%/^{\circ}\text{C}$
On/Off delay		≤ 0.07 ms/ ≤ 0.07 ms	≤ 0.07 ms/ ≤ 0.07 ms	≤ 0.07 ms/ ≤ 0.07 ms	≤ 0.07 ms/ ≤ 0.07 ms	≤ 0.07 ms/ ≤ 0.07 ms
Ambient temperature T_a		-25...+85° C	-25...+85° C	-25...+85° C	-25...+85° C	-25...+85° C
Degree of protection as per IEC 60529		IP 67	IP 67	IP 67	IP 67	IP 67
Certification		CE	CE	CE	CE	CE
Shell material		PA 12	PA 12	PA 12	PA 12	PA 12
Connection		Cable with M8 plug (3pin)	Cable with M8 plug (4pin)	Cable with M12 plug (3pin)	Cable with M12 plug (4pin)	Cable with free end
Installation method		Can be installed from above	Can be installed from above	Can be installed from above	Can be installed from above	Can be installed from above
Slot		C-Slot (Slot 10)	C-Slot (Slot 10)	C-Slot (Slot 10)	C-Slot (Slot 10)	C-Slot (Slot 10)

Remarks: xxx= cable length, can be customized according to needs when ordering, the cable length is increased by 0.5m, for example: 005=0.5m, 010=1m, 015=1.5m

3-wire Wiring diagram



Y-type plug Wiring diagram



Recommended accessories (See 3.3.03) (Please order separately)

Magnetic cylinder sensor

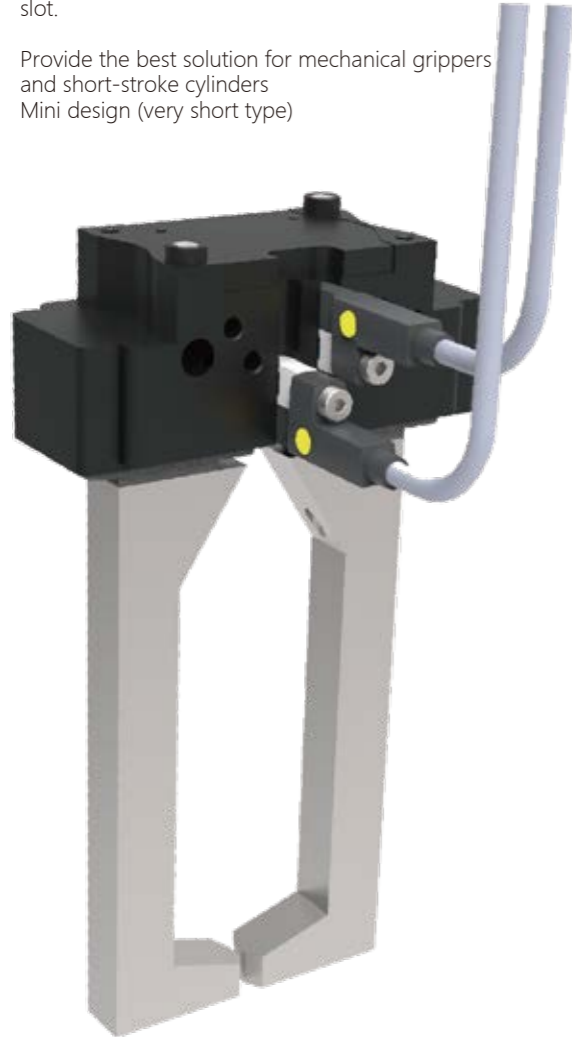
Compact design

Securely click into the slot
The design is fully matched to the slot, that is, the sensor can be fully inserted into the slot.

Installation and adjustment are convenient and simple
The fixing element is integrated in the sensor.

Can also be used in applications with strict space requirements
With flush mounting, the sensor is "hidden" in the slot.

Provide the best solution for mechanical grippers and short-stroke cylinders
Mini design (very short type)



C-slot (10-slot)

Magnetic cylinder sensor

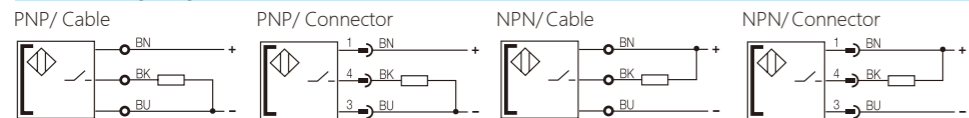
Compact design



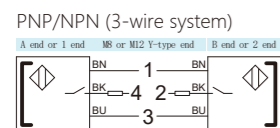
Characteristic		Can be fixed in Festo C-slot, with M8 plug	Can be fixed in Festo C-slot, with M8 plug	Can be fixed in Festo C-slot, with M12 plug,	Can be fixed in Festo C-slot, with M12 plug	Can be fixed in Festo C-slot, with free end cable
PNP(Normally open)	Order code	4FC201-xxx	4FC241-xxx	4FC281-xxx	4FC321-xxx	4FC361-xxx
	Part number	FIS-10G-PO-S-E-M8-xxx	FIS-10G-PO-D-E-M8Y-xxx	FIS-10G-PO-S-E-M12-xxx	FIS-10G-PO-D-E-M12Y-xxx	FIS-10G-PO-S-E-OE-xxx
NPN(Normally open)	Order code	4FC221-xxx	4FC261-xxx	4FC301-xxx	4FC341-xxx	4FC381-xxx
	Part number	FIS-10G-NO-S-E-M8-xxx	FIS-10G-NO-D-E-M8Y-xxx	FIS-10G-NO-S-E-M12-xxx	FIS-10G-NO-D-E-M12Y-xxx	FIS-10G-NO-S-E-OE-xxx
Supply voltage U_B		10...30 V DC	10...30 V DC	10...30 V DC	10...30 V DC	10...30 V DC
Voltage drop U_d		≤ 2.5 V	≤ 2.5 V	≤ 2.5 V	≤ 2.5 V	≤ 2.5 V
Rated insulation voltage U_i		75 V DC	75 V DC	75 V DC	75 V DC	75 V DC
Rated working current I_e		100 mA	100 mA	100 mA	100 mA	100 mA
No-load supply current I_o max		≤ 8 mA	≤ 8 mA	≤ 8 mA	≤ 8 mA	≤ 8 mA
Reverse polarity protection/power-signal short-circuit protection		Yes/Yes	Yes/Yes	Yes/Yes	Yes/Yes	Yes/Yes
Rated switching magnetic field strength $ H_n $		1.2 kA/m	1.2 kA/m	1.2 kA/m	1.2 kA/m	1.2 kA/m
Safely flip the magnetic field strength $ H_a $		≥ 2 kA/m	≥ 2 kA/m	≥ 2 kA/m	≥ 2 kA/m	≥ 2 kA/m
$ H_n $ Temperature drift of connecting point		≤ 0.3%/°C	≤ 0.3%/°C	≤ 0.3%/°C	≤ 0.3%/°C	≤ 0.3%/°C
On/Off delay		≤ 0.07 ms/≤ 0.07 ms	≤ 0.07 ms/≤ 0.07 ms	≤ 0.07 ms/≤ 0.07 ms	≤ 0.07 ms/≤ 0.07 ms	≤ 0.07 ms/≤ 0.07 ms
Ambient temperature T_a		-25...+85° C	-25...+85° C	-25...+85° C	-25...+85° C	-25...+85° C
Degree of protection as per IEC 60529		IP 67	IP 67	IP 67	IP 67	IP 67
Certification		CE	CE	CE	CE	CE
Shell material		PA 12	PA 12	PA 12	PA 12	PA 12
Connection		Cable with M8 plug (3pin)	Cable with M8 plug (4pin)	Cable with M12 plug (3pin)	Cable with M12 plug (4pin)	Cable with free end
Installation method		Can be inserted from the side	Can be inserted from the side	Can be inserted from the side	Can be inserted from the side	Can be inserted from the side
Slot		U C-slot (slot 10)	U C-slot (slot 10)	U C-slot (slot 10)	U C-slot (slot 10)	U C-slot (slot 10)

Remarks: xxx= cable length, can be customized according to needs when ordering, the cable length is increased by 0.5m, for example: 005=0.5m, 010=1m, 015=1.5m

3-wire Wiring diagram

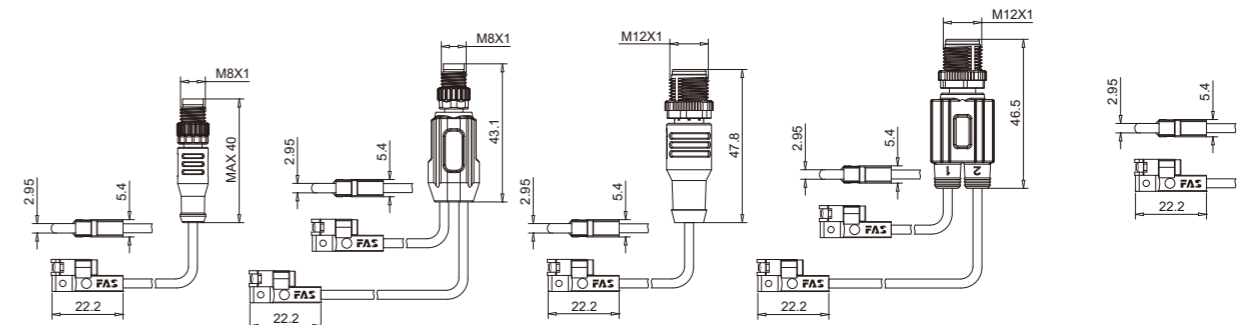
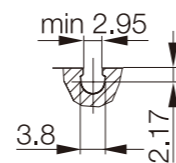


Y-type plug Wiring diagram



Slot size

C-slot (10-slot)
For example: Festo, SCHUNK, ZIMMER Jaws

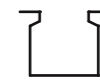


Recommended accessories (See 3.3.03)
(Please order separately)

Magnetic cylinder sensor
Compact design

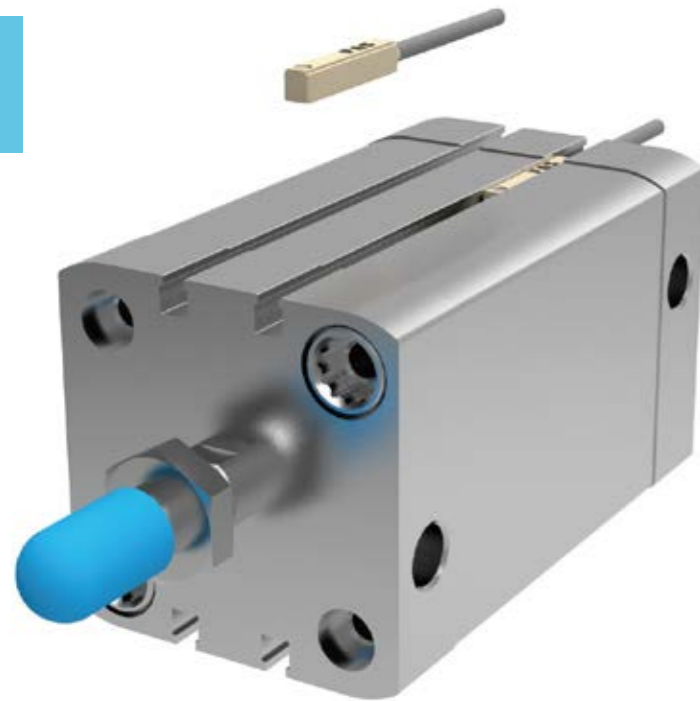
T-slot

Magnetic cylinder sensor
Compact design

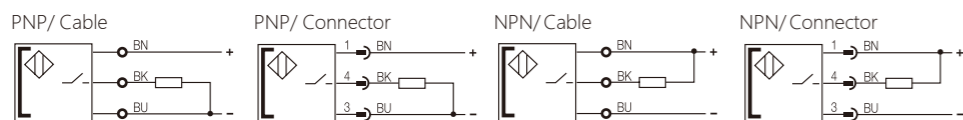


Characteristic		Can be fixed in AirTAC T-slot, with M8 plug	Can be fixed in AirTAC T-slot, with M8 plug	Can be fixed in AirTAC T-slot, with M12 plug	Can be fixed in AirTAC T-slot, with M12 plug	Can be fixed in Festo C-slot, with free end cable
PNP(Normally open)	Order code Part number	6AT001-xxx FIS-6M-PO-S-E-M8-xxx	6AT041-xxx FIS-6M-PO-D-E-M8Y-xxx	6AT081-xxx FIS-6M-PO-S-E-M12-xxx	6AT121-xxx FIS-6M-PO-D-E-M12Y-xxx	6AT161-xxx FIS-6M-PO-S-E-OE-xxx
NPN(Normally open)	Order code Part number	6AT021-xxx FIS-6M-NO-S-E-M8-xxx	6AT061-xxx FIS-6M-NO-D-E-M8Y-xxx	6AT101-xxx FIS-6M-NO-S-E-M12-xxx	6AT141-xxx FIS-6M-NO-D-E-M12Y-xxx	6AT181-xxx FIS-6M-NO-S-E-OE-xxx
2-wire(PLC module PNP)	Order code Part number	6AT023-xxx FIS-6M-BO-S-E-M8-xxx	6AT063-xxx FIS-6M-BO-D-E-M8Y-xxx	6AT103-xxx FIS-6M-BO-S-E-M12-xxx	6AT143-xxx FIS-6M-BO-D-E-M12Y-xxx	6AT183-xxx FIS-6M-BO-S-E-OE-xxx
2-wire(PLC moduleNPN)	Order code Part number	6AT025-xxx FIS-6M-DO-S-E-M8-xxx	6AT065-xxx FIS-6M-DO-D-E-M8Y-xxx	6AT105-xxx FIS-6M-DO-S-E-M12-xxx	6AT145-xxx FIS-6M-DO-D-E-M12Y-xxx	6AT185-xxx FIS-6M-DO-S-E-OE-xxx
Supply voltage U_B		10...30 V DC	10...30 V DC	10...30 V DC	10...30 V DC	10...30 V DC
Voltage drop U_d		≤ 2.5 V	≤ 2.5 V	≤ 2.5 V	≤ 2.5 V	≤ 2.5 V
Rated insulation voltage U_i		75 V DC	75 V DC	75 V DC	75 V DC	75 V DC
Rated working current I_e		100 mA	100 mA	100 mA	100 mA	100 mA
No-load supply current I_o max		≤ 8 mA	≤ 8 mA	≤ 8 mA	≤ 8 mA	≤ 8 mA
Reverse polarity protection/power-signal short-circuit protection		Yes/Yes	Yes/Yes	Yes/Yes	Yes/Yes	Yes/Yes
Rated switching magnetic field strength I_{H_n}		1.2 kA/m	1.2 kA/m	1.2 kA/m	1.2 kA/m	1.2 kA/m
Safely flip the magnetic field strength I_{H_s}		≥ 2 kA/m	≥ 2 kA/m	≥ 2 kA/m	≥ 2 kA/m	≥ 2 kA/m
I_{H_n} Temperature drift of connecting point		$\leq 0.3\%/^{\circ}\text{C}$	$\leq 0.3\%/^{\circ}\text{C}$	$\leq 0.3\%/^{\circ}\text{C}$	$\leq 0.3\%/^{\circ}\text{C}$	$\leq 0.3\%/^{\circ}\text{C}$
On/Off delay		≤ 0.07 ms/ ≤ 0.07 ms	≤ 0.07 ms/ ≤ 0.07 ms	≤ 0.07 ms/ ≤ 0.07 ms	≤ 0.07 ms/ ≤ 0.07 ms	≤ 0.07 ms/ ≤ 0.07 ms
Ambient temperature T_a		-25...+85° C	-25...+85° C	-25...+85° C	-25...+85° C	-25...+85° C
Degree of protection as per IEC 60529		IP 67	IP 67	IP 67	IP 67	IP 67
Certification		CE	CE	CE	CE	CE
Shell material		PA 12	PA 12	PA 12	PA 12	PA 12
Connection		Cable with M8 plug (3pin)	Cable with M8 plug (4pin)	Cable with M12 plug (3pin)	Cable with M12 plug (4pin)	Cable with free end
Installation method		Can be installed from above	Can be installed from above	Can be installed from above	Can be installed from above	Can be installed from above
Slot		$\varnothing 5$ T-slot	$\varnothing 5$ T-slot	$\varnothing 5$ T-slot	$\varnothing 5$ T-slot	$\varnothing 5$ T-slot

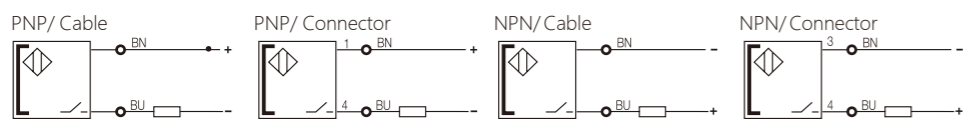
Remarks: xxx= cable length, can be customized according to needs when ordering, the cable length is increased by 0.5m, for example: 005=0.5m, 010=1m, 015=1.5m



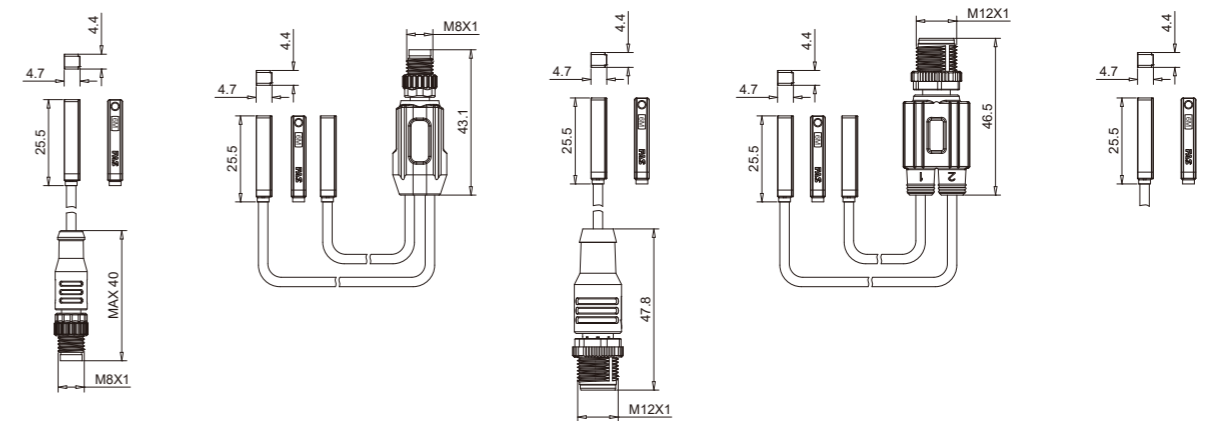
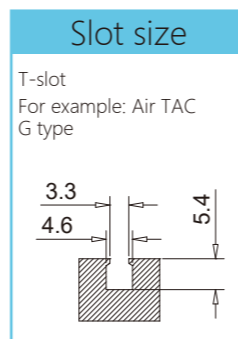
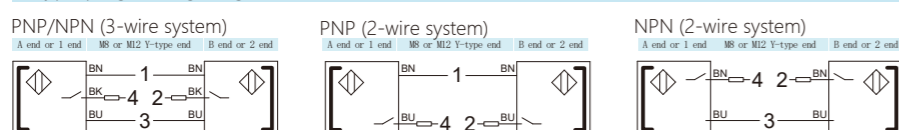
3-wire Wiring diagram



2-wire Wiring diagram



Y-type plug Wiring diagram



Recommended accessories (See 3.3.03)
(Please order separately)

Magnetic cylinder sensor
Compact design

T-slot

Magnetic cylinder sensor
Compact design

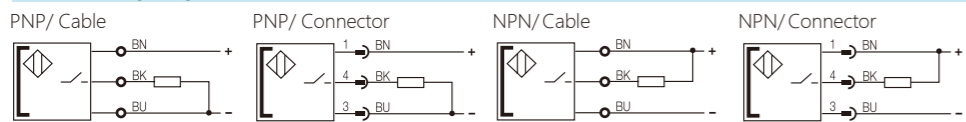


CE

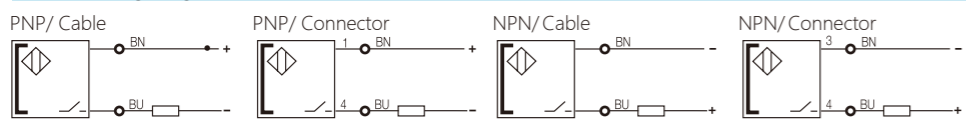
Characteristic		Can be fixed in AirTAC T-slot, with M8 plug	Can be fixed in AirTAC T-slot, with M8 plug	Can be fixed in AirTAC T-slot, with M12 plug	Can be fixed in AirTAC T-slot, with M12 plug	Can be fixed in Festo C-slot, with free end cable
PNP(Normally open)	Order code Part number	6AE001-xxx FIS-6E-PO-S-E-M8-xxx	6AE041-xxx FIS-6E-PO-D-E-M8Y-xxx	6AE081-xxx FIS-6E-PO-S-E-M12-xxx	6AE121-xxx FIS-6E-PO-D-E-M12Y-xxx	6AE161-xxx FIS-6E-PO-S-E-OE-xxx
NPN(Normally open)	Order code Part number	6AE021-xxx FIS-6E-NO-S-E-M8-xxx	6AE061-xxx FIS-6E-NO-D-E-M8Y-xxx	6AE101-xxx FIS-6E-NO-S-E-M12-xxx	6AE141-xxx FIS-6E-NO-D-E-M12Y-xxx	6AE181-xxx FIS-6E-NO-S-E-OE-xxx
2-wire(PLC module PNP)	Order code Part number	6AE023-xxx FIS-6E-BO-S-E-M8-xxx	6AE063-xxx FIS-6E-BO-D-E-M8Y-xxx	6AE103-xxx FIS-6E-BO-S-E-M12-xxx	6AE143-xxx FIS-6E-BO-D-E-M12Y-xxx	6AE183-xxx FIS-6E-BO-SE-OE-xxx
2-wire(PLC module NPN)	Order code Part number	6AE025-xxx FIS-6E-DO-S-E-M8-xxx	6AE065-xxx FIS-6E-DO-D-E-M8Y-xxx	6AE105-xxx FIS-6E-DO-S-E-M12-xxx	6AE145-xxx FIS-6E-DO-D-E-M12Y-xxx	6AE185-xxx FIS-6E-DO-SE-OE-xxx
Supply voltage U_B		10...30 V DC	10...30 V DC	10...30 V DC	10...30 V DC	10...30 V DC
Voltage drop U_d		≤ 2.5 V	≤ 2.5 V	≤ 2.5 V	≤ 2.5 V	≤ 2.5 V
Rated insulation voltage U_i		75 V DC	75 V DC	75 V DC	75 V DC	75 V DC
Rated working current I_e		100 mA	100 mA	100 mA	100 mA	100 mA
No-load supply current I_o max		≤ 8 mA	≤ 8 mA	≤ 8 mA	≤ 8 mA	≤ 8 mA
Reverse polarity protection/power-signal short-circuit protection		Yes/Yes	Yes/Yes	Yes/Yes	Yes/Yes	Yes/Yes
Rated switching magnetic field strength I_{H_a}		1.2 kA/m	1.2 kA/m	1.2 kA/m	1.2 kA/m	1.2 kA/m
Safely flip the magnetic field strength I_{H_a}		≥ 2 kA/m	≥ 2 kA/m	≥ 2 kA/m	≥ 2 kA/m	≥ 2 kA/m
I_{H_a} Temperature drift of connecting point		$\leq 0.3\%/^{\circ}\text{C}$	$\leq 0.3\%/^{\circ}\text{C}$	$\leq 0.3\%/^{\circ}\text{C}$	$\leq 0.3\%/^{\circ}\text{C}$	$\leq 0.3\%/^{\circ}\text{C}$
On/Off delay		≤ 0.07 ms/ ≤ 0.07 ms	≤ 0.07 ms/ ≤ 0.07 ms	≤ 0.07 ms/ ≤ 0.07 ms	≤ 0.07 ms/ ≤ 0.07 ms	≤ 0.07 ms/ ≤ 0.07 ms
Ambient temperature T_a		-25...+85° C	-25...+85° C	-25...+85° C	-25...+85° C	-25...+85° C
Degree of protection as per IEC 60529		IP 67	IP 67	IP 67	IP 67	IP 67
Certification		CE	CE	CE	CE	CE
Shell material		PA 12	PA 12	PA 12	PA 12	PA 12
Connection		Cable with M8 plug (3pin)	Cable with M8 plug (4pin)	Cable with M12 plug (3pin)	Cable with M12 plug (4pin)	Cable with free end
Installation method		Can be installed from above	Can be installed from above	Can be installed from above	Can be installed from above	Can be installed from above
Slot		$\varnothing 5$ T-slot	$\varnothing 5$ T-slot	$\varnothing 5$ T-slot	$\varnothing 5$ T-slot	$\varnothing 5$ T-slot

Remarks: xxx= cable length, can be customized according to needs when ordering, the cable length is increased by 0.5m, for example: 005=0.5m, 010=1m, 015=1.5m

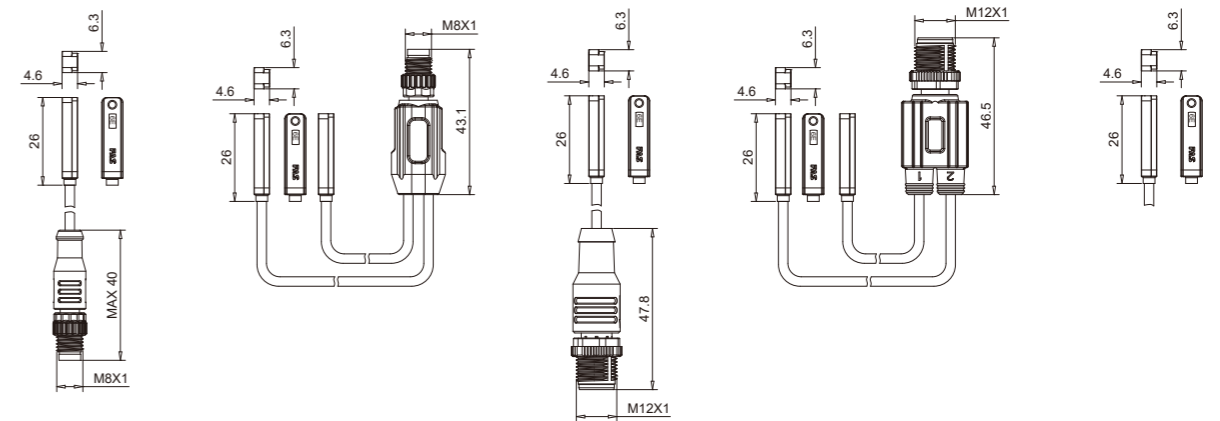
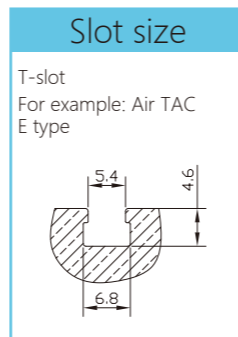
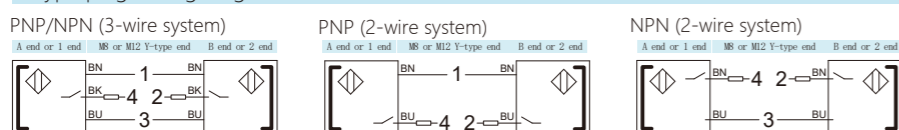
3-wire Wiring diagram



2-wire Wiring diagram



Y-type plug Wiring diagram



Recommended accessories (See 3.3.03)
(Please order separately)

Magnetic cylinder sensor

Compact design

J-slot

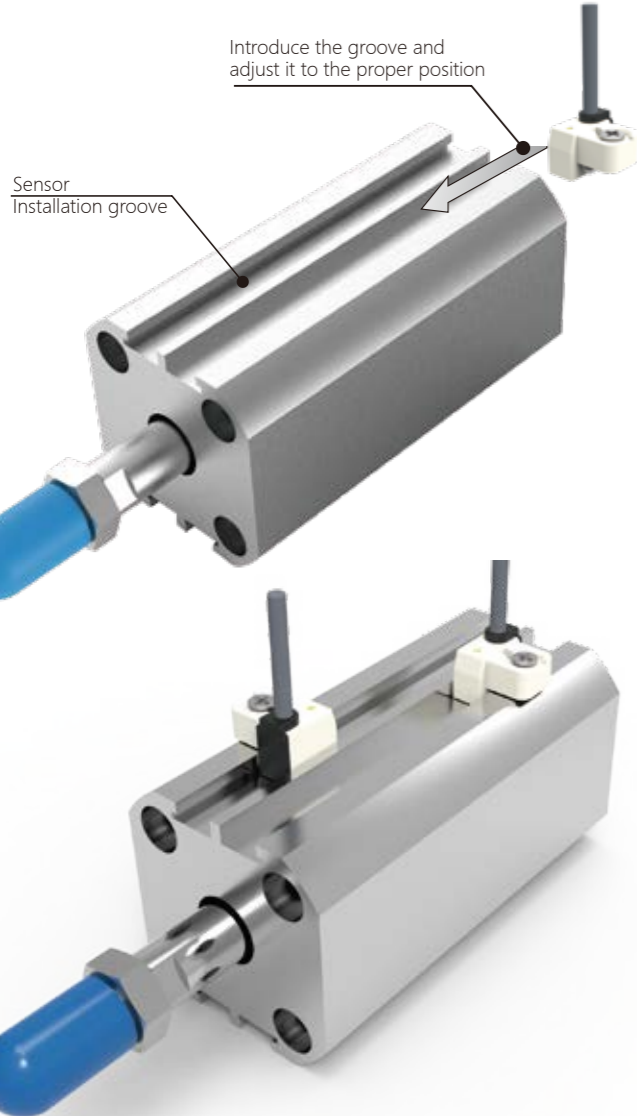
Magnetic cylinder sensor

Compact design

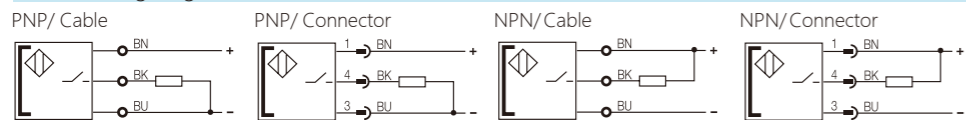
CE

Characteristic		Can be fixed in AirTAC T-slot, with M8 plug	Can be fixed in AirTAC T-slot, with M8 plug	Can be fixed in AirTAC T-slot, with M12 plug	Can be fixed in AirTAC T-slot, with M12 plug	Can be fixed in Festo C-slot, with free end cable
PNP(Normally open)	Order code Part number	6AJ001-xxx FIS-6J-PO-S-E-M8-xxx	6AJ041-xxx FIS-6J-PO-D-E-M8Y-xxx	6AJ081-xxx FIS-6J-PO-S-E-M12-xxx	6AJ121-xxx FIS-6J-PO-D-E-M12Y-xxx	6AJ161-xxx FIS-6J-PO-S-E-OE-xxx
NPN(Normally open)	Order code Part number	6AJ021-xxx FIS-6J-NO-S-E-M8-xxx	6AJ061-xxx FIS-6J-NO-D-E-M8Y-xxx	6AJ101-xxx FIS-6J-NO-S-E-M12-xxx	6AJ141-xxx FIS-6J-NO-D-E-M12Y-xxx	6AJ181-xxx FIS-6J-NO-S-E-OE-xxx
2-wire(PLC module PNP)	Order code Part number	6AJ023-xxx FIS-6J-BO-S-E-M8-xxx	6AJ063-xxx FIS-6J-BO-D-E-M8Y-xxx	6AJ103-xxx FIS-6J-BO-S-E-M12-xxx	6AJ143-xxx FIS-6J-BO-D-E-M12Y-xxx	6AJ183-xxx FIS-6J-BO-S-E-OE-xxx
2-wire(PLC module NPN)	Order code Part number	6AJ025-xxx FIS-6J-DO-S-E-M8-xxx	6AJ065-xxx FIS-6J-DO-D-E-M8Y-xxx	6AJ105-xxx FIS-6J-DO-S-E-M12-xxx	6AJ145-xxx FIS-6J-DO-D-E-M12Y-xxx	6AJ185-xxx FIS-6J-DO-S-E-OE-xxx
Supply voltage U_b		10...30 V DC	10...30 V DC	10...30 V DC	10...30 V DC	10...30 V DC
Voltage drop U_d		≤ 2.5 V	≤ 2.5 V	≤ 2.5 V	≤ 2.5 V	≤ 2.5 V
Rated insulation voltage U_i		75 V DC	75 V DC	75 V DC	75 V DC	75 V DC
Rated working current I_e		100 mA	100 mA	100 mA	100 mA	100 mA
No-load supply current I_o max		≤ 8 mA	≤ 8 mA	≤ 8 mA	≤ 8 mA	≤ 8 mA
Reverse polarity protection/power-signal short-circuit protection		Yes/Yes	Yes/Yes	Yes/Yes	Yes/Yes	Yes/Yes
Rated switching magnetic field strength $ H_n $		1.2 kA/m	1.2 kA/m	1.2 kA/m	1.2 kA/m	1.2 kA/m
Safely flip the magnetic field strength $ H_a $		≥ 2 kA/m	≥ 2 kA/m	≥ 2 kA/m	≥ 2 kA/m	≥ 2 kA/m
$ H_n $ Temperature drift of connecting point		$\leq 0.3\%/^{\circ}\text{C}$	$\leq 0.3\%/^{\circ}\text{C}$	$\leq 0.3\%/^{\circ}\text{C}$	$\leq 0.3\%/^{\circ}\text{C}$	$\leq 0.3\%/^{\circ}\text{C}$
On/Off delay		≤ 0.07 ms/ ≤ 0.07 ms	≤ 0.07 ms/ ≤ 0.07 ms	≤ 0.07 ms/ ≤ 0.07 ms	≤ 0.07 ms/ ≤ 0.07 ms	≤ 0.07 ms/ ≤ 0.07 ms
Ambient temperature T_a		-25...+85 $^{\circ}$ C	-25...+85 $^{\circ}$ C	-25...+85 $^{\circ}$ C	-25...+85 $^{\circ}$ C	-25...+85 $^{\circ}$ C
Degree of protection as per IEC 60529		IP 67	IP 67	IP 67	IP 67	IP 67
Certification		CE	CE	CE	CE	CE
Shell material		PA 12	PA 12	PA 12	PA 12	PA 12
Connection		Cable with M8 plug (3pin)	Cable with M8 plug (4pin)	Cable with M12 plug (3pin)	Cable with M12 plug (4pin)	Cable with free end
Installation method		Can be installed from above	Can be installed from above	Can be installed from above	Can be installed from above	Can be installed from above
Slot		J-slot	J-slot	J-slot	J-slot	J-slot

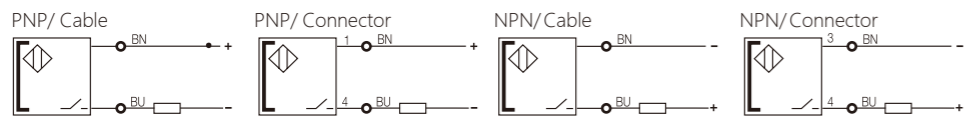
Remarks: xxx= cable length, can be customized according to needs when ordering, the cable length is increased by 0.5m, for example: 005=0.5m, 010=1m, 015=1.5m



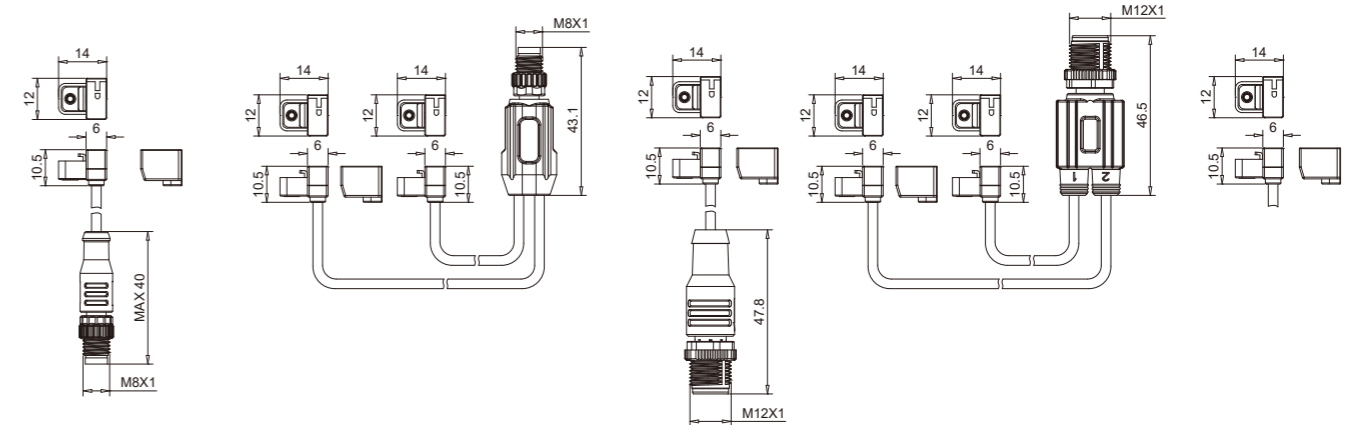
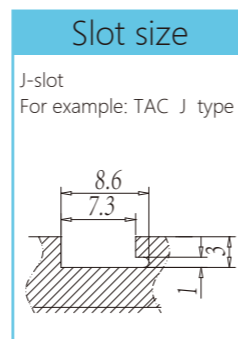
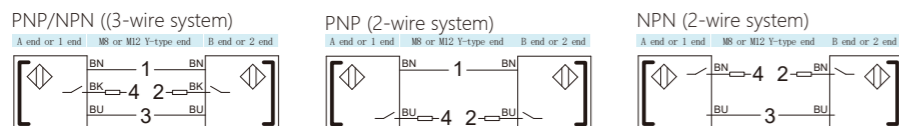
3-wire Wiring diagram



2-wire Wiring diagram



Y-type plug Wiring diagram



Recommended accessories (See 3.3.03)
(Please order separately)

Magnetic cylinder sensor

Compact design

Can be directly used for SMC cylinder series

Series	Bore	FAS sensor model	Installation accessories	Accessories model	Series	Bore	FAS sensor model	Installation accessories	Accessories model
CD55	All series	FIS-9M/FIS-9Q	x	-	MVGQ	All series	FIS-9M/FIS-9Q	x	-
CP96[J]	All series	FIS-9M/FIS-9Q	x	-	MPX	All series	FIS-9M/FIS-9Q	x	-
CDQ2	All series	FIS-9M/FIS-9Q	x	-	MXQ	All series	FIS-9M/FIS-9Q	x	-
CDU	All series	FIS-9M/FIS-9Q	x	-	MXS	All series	FIS-9M/FIS-9Q	x	-
CDUJ	All series	FIS-9G	x	-	MXW	All series	FIS-9M/FIS-9Q	x	-
CHDQ	All series	FIS-9M/FIS-9Q	x	-	MXZ	All series	FIS-9M/FIS-9Q	x	-
CXSJ	All series	FIS-9M/FIS-9Q	x	-	NCQ8	All series	FIS-9M/FIS-9Q	x	-
CDQM	All series	FIS-9M/FIS-9Q	x	-	RLQ	All series	FIS-9M/FIS-9Q	x	-
CDQS	All series	FIS-9M/FIS-9Q	x	-	RQ	All series	FIS-9M/FIS-9Q	x	-
CQU	All series	FIS-9M/FIS-9Q	x	-	RS2H	All series	FIS-9M/FIS-9Q	x	-
CRJ	All series	FIS-9M/FIS-9Q	x	-	RSH	All series	FIS-9M/FIS-9Q	x	-
CVQ	All series	FIS-9M/FIS-9Q	x	-	RSQ	All series	FIS-9M/FIS-9Q	x	-
CXT	All series	FIS-9M/FIS-9Q	x	-	RZQ	All series	FIS-9M/FIS-9Q	x	-
JCDQ	All series	FIS-9M/FIS-9Q/FIS-9G	x	-	C96[J]	φ32、φ40	FIS-9M/FIS-9Q	✓	Please consult our company
JMGP	All series	FIS-9M/FIS-9Q	x	-	C96[J]	φ50、φ63	FIS-9M/FIS-9Q	✓	Please consult our company
MGF	All series	FIS-9M/FIS-9Q	x	-	C96[J]	φ80、φ100	FIS-9M/FIS-9Q	✓	Please consult our company
MGJ	All series	FIS-9Q/FIS-9G	x	-	CDA2	φ40、φ50	FIS-9M/FIS-9Q	✓	Please consult our company
MGP/MGPW	All series	FIS-9M/FIS-9Q	x	-	CDA2	φ63	FIS-9M/FIS-9Q	✓	Please consult our company
MGQ	All series	FIS-9M/FIS-9Q	x	-	CDA2	φ80、φ100	FIS-9M/FIS-9Q	✓	Please consult our company
MHF2	All series	FIS-9M/FIS-9Q/FIS-9G	x	-	CD85	φ8 to φ16	FIS-9M/FIS-9Q	✓	Please consult our company
MHK2	All series	FIS-9M/FIS-9Q/FIS-9G	x	-	CD85	φ20 to φ40	FIS-9M/FIS-9Q	✓	Please consult our company
MHL2	All series	FIS-9M/FIS-9Q	x	-	CD75	φ8 to φ16	FIS-9M/FIS-9Q	✓	Please consult our company
MHQG2	All series	FIS-9M/FIS-9Q	x	-	CD75	φ20 to φ40	FIS-9M/FIS-9Q	✓	Please consult our company
MDHR2	All series	FIS-9M/FIS-9Q	x	-	CDM2	φ20 to φ40	FIS-9M/FIS-9Q	✓	Please consult our company
MDHR3	All series	FIS-9M/FIS-9Q	x	-	CDM3	φ20 to φ40	FIS-9M/FIS-9Q	✓	Please consult our company
MHT2	All series	FIS-9M/FIS-9Q	x	-	CDJ2	φ6、φ10、φ16	FIS-9M/FIS-9Q	✓	Please consult our company
MHW2	All series	FIS-9M/FIS-9Q/FIS-9G	x	-	CXS	All series	FIS-9M/FIS-9Q	✓	Please consult our company
MHZ2	All series	FIS-9M/FIS-9Q/FIS-9G	x	-	CDS1	φ125、φ140	FIS-9M	✓	Please consult our company
MIW/MIS	All series	FIS-9M/FIS-9Q/FIS-9G	x	-	CDS1	φ160	FIS-9M	✓	Please consult our company
MK/MK2T	All series	FIS-9M	x	-	CDS1	φ180	FIS-9M	✓	Please consult our company
MQQ	All series	FIS-9M/FIS-9Q/FIS-9G	x	-	CDS1	φ200	FIS-9M	✓	Please consult our company
MQP	All series	FIS-9M/FIS-9Q/FIS-9G	x	-	CDG1	φ20 to φ63	FIS-9M/FIS-9Q	✓	Please consult our company
MSQ	All series	FIS-9M/FIS-9Q/FIS-9G	x	-	CDG3	φ20 to φ63	FIS-9M/FIS-9Q	✓	Please consult our company
MHC2	All series	FIS-9M/FIS-9Q/FIS-9G	x	-	CDNA2	φ40、φ50	FIS-9M/FIS-9Q	✓	Please consult our company
MHY2	All series	FIS-9M/FIS-9Q/FIS-9G	x	-	CDNA2	φ63	FIS-9M/FIS-9Q	✓	Please consult our company
MXH	All series	FIS-9M/FIS-9Q	x	-	CDNA2	φ80、φ100	FIS-9M/FIS-9Q	✓	Please consult our company
MXY	All series	FIS-9M/FIS-9Q	x	-	CDNG	φ20 to φ40	FIS-9M/FIS-9Q	✓	Please consult our company
MY1	All series	FIS-9M/FIS-9Q	x	-	CDNS	φ125、φ140	FIS-9M/FIS-9Q	✓	Please consult our company
MRHQ	All series	FIS-9M/FIS-9Q	x	-	CDNS	φ160	FIS-9M/FIS-9Q	✓	Please consult our company
MSZ	All series	FIS-9M/FIS-9Q	x	-	CRA1	All series	FIS-9M/FIS-9Q	✓	Please consult our company
MTS	All series	FIS-9M/FIS-9Q/FIS-9G	x	-	CRB1	All series	FIS-9M/FIS-9Q	✓	Please consult our company

Magnetic cylinder sensor

Compact design

Can be directly used for SMC cylinder series

Series	Bore	FAS sensor model	Installation accessories	Accessories model
CDS2	φ125、φ140	FIS-9M	✓	Please consult our company
CDS2	φ160	FIS-9M	✓	Please consult our company
JCDM	φ20 to φ40	FIS-9M	✓	Please consult our company
JMDB	φ32、φ40、φ45	FIS-9M/FIS-9Q	✓	Please consult our company
JMDB	φ50、φ56、φ63	FIS-9M/FIS-9Q	✓	Please consult our company
JMDB	φ67、φ80	FIS-9M/FIS-9Q	✓	Please consult our company
JMDB	φ85、φ100	FIS-9M/FIS-9Q	✓	Please consult our company
MDB	φ32、φ40	FIS-9M/FIS-9Q	✓	Please consult our company
MDB	φ50、φ63	FIS-9M/FIS-9Q	✓	Please consult our company
MDB	φ80、φ100	FIS-9M/FIS-9Q	✓	Please consult our company
MDB	φ125	FIS-9M/FIS-9Q	✓	Please consult our company
MDB1	All series	FIS-9M/FIS-9Q	✓	Please consult our company
MGC	φ20 to φ50	FIS-9M/FIS-9Q	x	-
MGG	φ20 to φ63	FIS-9M/FIS-9Q	✓	Please consult our company
MGT	All series	FIS-9M/FIS-9Q	x	-
MGZ/MGZR	All series	FIS-9M/FIS-9Q	✓	Please consult our company



Magnetic cylinder sensor

Compact design


Can be directly used for FESTO cylinder series

Series	Bore	FAS sensor model	Installation accessories	Accessories model	Series	Bore	FAS sensor model	Installation accessories	Accessories model
AND/AEN	All series	FIS-8M	x	-	DZH	φ32...φ63	FIS-8M	✓	Please consult our company
ADVC/AEVC	All series	FIS-10M	x	-	DSBF-C	All series	FIS-8M	✓	Please consult our company
ADVC/AEVC	φ32 to φ80	FIS-8M/FIS-10M	x	-	DSBG	φ32...φ100	FIS-8M	✓	Please consult our company
DSBC	All series	FIS-8M	x	-	DSBG	φ125	FIS-8M	✓	Please consult our company
ADNGF	All series	FIS-8M	x	-	DSBG	φ160, φ200	FIS-8M	✓	Please consult our company
DZF	All series	FIS-8M	x	-	DSNU/ESNU	All series	FIS-8M	✓	Please consult our company
DZH	φ16, φ20, φ25	FIS-8M	x	-	CRDSNU	All series	FIS-8M	✓	Please consult our company
EZH-10	φ40	FIS-8M	x	-	CRDNG	All series	FIS-8M	✓	Please consult our company
DMM/EMM-10	All series	FIS-8M	x	-	CRHD	All series	FIS-8M	✓	Please consult our company
EMMZ	All series	FIS-8M	x	-					
DNCKE	All series	FIS-8M	x	-					
DNC	φ8, φ12	FIS-10M	x	-					
DNC	φ18 to φ50	FIS-8M	x	-					
DFP	All series	FIS-8M	x	-					
DFM	All series	FIS-8M	x	-					
DPZ	All series	FIS-8M	x	-					
DGSL	All series	FIS-10M	x	-					
SLF/SLT	All series	FIS-10M	x	-					
DHPS	All series	FIS-8G	x	-					
HGPD/HGPT	φ16 to φ35	FIS-10G	x	-					
HGPD/HGPT	φ40 to φ80	FIS-8G	x	-					
HGPL	All series	FIS-8M	x	-					
HGPC	All series	FIS-10M/FIS-10G	x	-					
HGP	All series	FIS-8M	x	-					
DHDS	All series	FIS-8G	x	-					
HGDD	All series	FIS-8G	x	-					
HGDT	All series	FIS-10M/FIS-10G	x	-					
DHWS/DHRS	All series	FIS-8M/FIS-8G	x	-					
HGRT	φ16...φ32	FIS-10G	x	-					
HGRT	φ40, φ50	FIS-8G	x	-					
HGRC	All series	FIS-10M/FIS-10G	x	-					

Magnetic cylinder sensor

Compact design

Suitable for FIS-9M magnetic switch

Suitable for round cylinders	Description	Order NO	PU ¹⁾
	For piston @ 6 mm	F-MQS06	2
	For piston @ 8 mm	F-MQS08	2
	For piston @ 10 mm	F-MQS10	2
	For piston @ 12 mm	F-MQS12	2
	For piston @ 16 mm	F-MQS16	2
	For piston @ 20 mm	F-MQS20	2
	For piston @ 25 mm	F-MQS25	2
	For piston @ 32 mm	F-MQS32	2
	For piston @ 40 mm	F-MQS40	2
	For piston @ 50 mm	F-MQS50	2
For piston @ 63 mm	F-MQS63	2	
For piston @ 80 mm	F-MQS80	2	

Suitable for tie rod cylinders	Description	Order NO	PU ¹⁾
	For piston @ 32 mm	4SC000-ASS-02	2
	For piston @ 40 /50 mm	4SC000-ASS-03	2
	For piston @ 63 mm	4SC000-ASS-03	2
	For piston @ 80 mm	4SC000-ASS-04	2
	For piston @ 100 mm	4SC000-ASS-04	2
For piston @ 125 mm	4SC000-ASS-05	2	

Suitable for T-slot cylinder	Description	Order NO	PU ¹⁾
	Suitable for FIS-9M magnetic switch, T-slot installation	4SC000-ASS-10	2

Suitable for FIS-8M magnetic switch

Suitable for round cylinders	Description	Order NO	PU ¹⁾
	For piston @ 6 mm	F-MQT06	2
	For piston @ 8 mm	F-MQT08	2
	For piston @ 10 mm	F-MQT10	2
	For piston @ 12 mm	F-MQT12	2
	For piston @ 16 mm	F-MQT16	2
	For piston @ 20 mm	F-MQT20	2
	For piston @ 25 mm	F-MQT25	2
	For piston @ 32 mm	F-MQT32	2
	For piston @ 40 mm	F-MQT40	2
	For piston @ 50 mm	F-MQT50	2
For piston @ 63 mm	F-MQT63	2	
For piston @ 80 mm	F-MQT80	2	