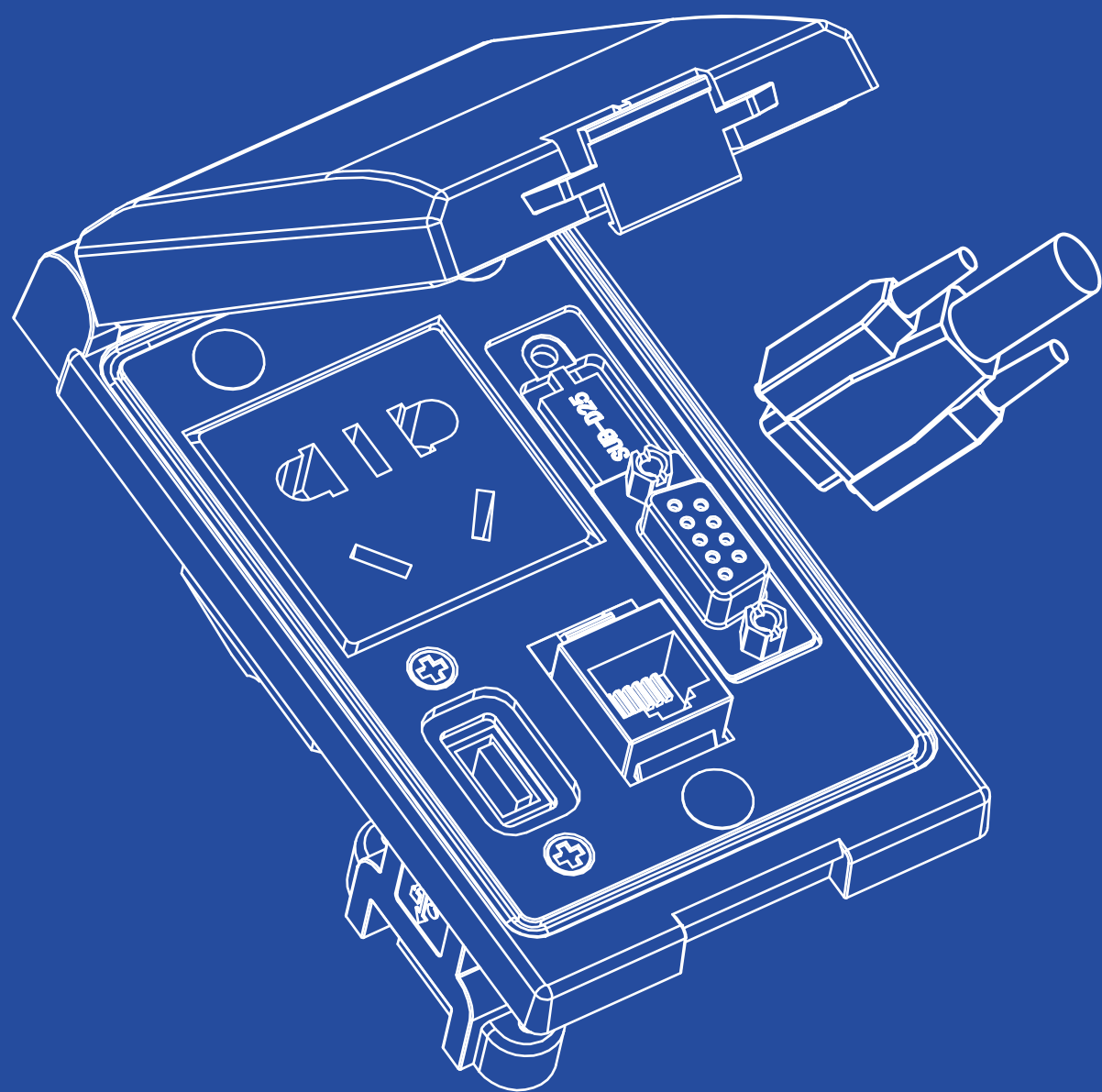


08

通讯面板

COMMUNICATION PANEL



COMMUNICATION PANEL

通讯面板

8.1 D-Sub连接器

8.2 RJ45&USB连接器

8.3 前置调试面板

作为一家研发制造型企业，坚持研发创新的价值理念，并有着可靠的市场运用案例、完善的生产能力、高效的物流运输、团队的精诚合作和保证高品质的意识，可为您提供可靠持续的服务。

D-SUB 9/15 Pin 连接器

D-SUB 9/15 Pin 连接器



屏蔽 Shielded
压接或焊接
Crimp / solder pins
壳体规格 Size : Size1G

插针 Male
180°



插孔 Female
180°



1 型号 Form 焊接式 Solder	900009	900315	901009	901315
订货代码	FMK1G-109-MS	FMK1G-315-MS	FMK1G-109-FS	FMK1G-315-FS
压接式 Crimp	900109		902009	
订货代码	FMK1G-109-MC		FMK1G-109-FC	
极数 Suppression	9-pole	15-pole	9-pole	15-pole
电路图 Circuit diagram	插针 Male 9 Pin	插针 Male 15 Pin	插孔 Female 9 Pin	插孔 Female 15 Pin
压线范围 Wire diameter	6...8.7 mm			

2 技术参数 Technical data

额定电压 Supply voltage	30V AC/DC
额定电流 Current per contact(40°C)	2A
温度范围 Temperature range	- 25...+ 85 °C
压线方式 Wiring method	冷压压接 (冷压针见下表) Crimp terminal

针 Crimp contacts

技术参数 Technical data 材质 Material: 铜镀银/金 Copper alloy silver/gold-plated 接触电阻 Contact resistance: ≤ 4 mΩ 接线形式 Terminal: 冷压接线 Crimp terminal	线径 Wire	AWG	车针 Machined Contacts (100 pieces / 包 pu)	
			型号 Form	订货号 Part No.
车针 Machined Contacts 	0.09-0.25mm ²	26-22	DAM-13	09670005576
	0.25-0.56mm ²	22-20	DAM-33	09670008576
	0.09-0.25mm ²	26-22	DAF-13	09670005476
	0.25-0.56mm ²	22-20	DAF-33	09670008476

备注 Notes

屏蔽 Shielded
压接或焊接
Crimp / solder pins
壳体规格 Size : Size1

插针 Male
45°



插孔 Female
45°



1 型号 Form 焊接式 Solder	910009	910315	911009	911315
订货代码	FMK1-109-MS	FMK1-315-MS	FMK1-109-FS	FMK1-315-FS
压接式 Crimp	910109		912009	
订货代码	FMK1-109-MC		FMK1-109-FC	
极数 Suppression	9-pole	15-pole	9-pole	15-pole
电路图 Circuit diagram	插针 Male 9 Pin	插针 Male 15 Pin	插孔 Female 9 Pin	插孔 Female 15 Pin
压线范围 Wire diameter	6...8.7 mm			

2 技术参数 Technical data

额定电压 Supply voltage	30V AC/DC
额定电流 Current per contact (40°C)	2A
温度范围 Temperature range	- 25...+ 85 °C
压线方式 Wiring method	冷压压接 (冷压针见下表) Crimp terminal

针 Crimp contacts

技术参数 Technical data 材质 Material: 铜镀银/金 Copper alloy silver/gold-plated 接触电阻 Contact resistance: ≤ 4 mΩ 接线形式 Terminal: 冷压接线 Crimp terminal	线径 Wire	AWG	车针 Machined Contacts (100 pieces / 包 pu)	
			型号 Form	订货号 Part No.
车针 Machined Contacts 	0.09-0.25mm ²	26-22	DAM-13	09670005576
	0.25-0.56mm ²	22-20	DAM-33	09670008576
	0.09-0.25mm ²	26-22	DAF-13	09670005476
	0.25-0.56mm ²	22-20	DAF-33	09670008476

备注 Notes

D-SUB 15Pin 连接器

D-SUB 15Pin 连接器

屏蔽 Shielded
压接或焊接
Crimp / solder pins
壳体规格 Size : Size2G

插针 Male
180°



插孔 Female
180°



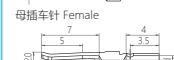
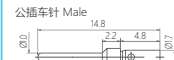
1 型号 Form 焊接式 Solder	900015	901015
订货代码	FMK2G-215-MS	FMK2G-215-FS
压接式 Crimp	900115	902015
订货代码	FMK2G-215-MC	FMK2G-215-FC
极数 Suppression	15-pole	15-pole
电路图 Circuit diagram	插针 Male 15 Pin 	插孔 Female 15 Pin
压线范围 Wire diameter	8...11mm	

2 技术参数 Technical data	
额定电压 Supply voltage	30V AC/DC
额定电流 Current per contact(40°C)	2A
温度范围 Temperature range	- 25...+ 85 °C
压线方式 Wiring method	冷压压接 (冷压针见下表) Crimp terminal

针 Crimp contacts

技术参数 Technical data
材质 Material: 铜镀银/金
Copper alloy silver/gold-plated
接触电阻 Contact resistance: ≤ 4 mΩ
接线形式 Terminal: 冷压接线 Crimp terminal

车针 Machined Contacts



线径 Wire	AWG	车针 Machined Contacts (100 pieces / 包 pu)	
		型号 Form	订货号 Part No.
0.09-0.25mm ²	26-22	DAM-13	09670005576
0.25-0.56mm ²	22-20	DAM-33	09670008576
0.09-0.25mm ²	26-22	DAF-13	09670005476
0.25-0.56mm ²	22-20	DAF-33	09670008476

备注 Notes

屏蔽 Shielded
压接或焊接
Crimp / solder pins
壳体规格 Size : Size2

插针 Male
45°



插孔 Female
45°



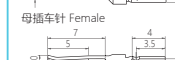
1 型号 Form 焊接式 Solder	910015	911015
订货代码	FMK2-215-MS	FMK2-215-FS
压接式 Crimp	910115	912015
订货代码	FMK2-215-MC	FMK2-215-FC
极数 Suppression	15-pole	15-pole
电路图 Circuit diagram	插针 Male 15 Pin 	插孔 Female 15 Pin
压线范围 Wire diameter	8...11mm	

2 技术参数 Technical data	
额定电压 Supply voltage	30V AC/DC
额定电流 Current per contact(40°C)	2A
温度范围 Temperature range	- 25...+ 85 °C
压线方式 Wiring method	冷压压接 (冷压针见下表) Crimp terminal

针 Crimp contacts

技术参数 Technical data
材质 Material: 铜镀银/金
Copper alloy silver/gold-plated
接触电阻 Contact resistance: ≤ 4 mΩ
接线形式 Terminal: 冷压接线 Crimp terminal

车针 Machined Contacts



线径 Wire	AWG	车针 Machined Contacts (100 pieces / 包 pu)	
		型号 Form	订货号 Part No.
0.09-0.25mm ²	26-22	DAM-13	09670005576
0.25-0.56mm ²	22-20	DAM-33	09670008576
0.09-0.25mm ²	26-22	DAF-13	09670005476
0.25-0.56mm ²	22-20	DAF-33	09670008476

备注 Notes

D-SUB 25Pin 连接器

屏蔽 Shielded
压接或焊接
Crimp / solder pins
壳体规格 Size : Size3G

插针 Male
180°



插孔 Female
180°



1 型号 Form 焊接式 Solder	900025	901025
订货代码	FMK3G-225-MS	FMK3G-225-FS
压接式 Crimp	900125	902025
订货代码	FMK3G-225-MC	FMK3G-225-FC
极数 Suppression	25-pole	25-pole
电路图 Circuit diagram	<p>插针 Male 25 Pin</p>	<p>插孔 Female 25 Pin</p>
压线范围 Wire diameter	8...11mm	

2 技术参数 Technical data	
额定电压 Supply voltage	30V AC/DC
额定电流 Current per contact(40°C)	2A
温度范围 Temperature range	- 25...+ 85 °C
压线方式 Wiring method	冷压压接 (冷压针见下表) Crimp terminal

针 Crimp contacts				
技术参数 Technical data 材质 Material: 铜镀银/金 Copper alloy silver/gold-plated 接触电阻 Contact resistance: ≤ 4 mΩ 接线形式 Terminal: 冷压接线 Crimp terminal	线径 Wire	AWG	车针 Machined Contacts (100 pieces / 包 pu)	
			型号 Form	订货号 Part No.
车针 Machined Contacts 	0.09-0.25mm ²	26-22	DAM-13	09670005576
	0.25-0.56mm ²	22-20	DAM-33	09670008576
	0.09-0.25mm ²	26-22	DAF-13	09670005476
	0.25-0.56mm ²	22-20	DAF-33	09670008476

备注 Notes

D-SUB 25Pin 连接器



屏蔽 Shielded
压接或焊接
Crimp / solder pins
壳体规格 Size : Size3

插针 Male
45°



插孔 Female
45°



1 型号 Form 焊接式 Solder	910025	911025
订货代码	FMK3-225-MS	FMK3-225-FS
压接式 Crimp	910125	912025
订货代码	FMK3-225-MC	FMK3-225-FC
极数 Suppression	25-pole	25-pole
电路图 Circuit diagram	<p>插针 Male 25 Pin</p>	<p>插孔 Female 25 Pin</p>
压线范围 Wire diameter	8...11mm	

2 技术参数 Technical data	
额定电压 Supply voltage	30V AC/DC
额定电流 Current per contact(40°C)	2A
温度范围 Temperature range	- 25...+ 85 °C
压线方式 Wiring method	冷压压接 (冷压针见下表) Crimp terminal

针 Crimp contacts				
技术参数 Technical data 材质 Material: 铜镀银/金 Copper alloy silver/gold-plated 接触电阻 Contact resistance: ≤ 4 mΩ 接线形式 Terminal: 冷压接线 Crimp terminal	线径 Wire	AWG	车针 Machined Contacts (100 pieces / 包 pu)	
			型号 Form	订货号 Part No.
车针 Machined Contacts 	0.09-0.25mm ²	26-22	DAM-13	09670005576
	0.25-0.56mm ²	22-20	DAM-33	09670008576
	0.09-0.25mm ²	26-22	DAF-13	09670005476
	0.25-0.56mm ²	22-20	DAF-33	09670008476

备注 Notes

D-SUB 37 Pin 连接器

D-SUB 37 Pin 连接器

屏蔽 Shielded
压接或焊接
Crimp / solder pins
壳体规格 Size : Size4G

插针 Male
180°



插孔 Female
180°



屏蔽 Shielded
压接或焊接
Crimp / solder pins
壳体规格 Size : Size4

插针 Male
45°



插孔 Female
45°



1 型号 Form 焊接式 Solder	900037	901037
订货代码	FMK4G-237-MS	FMK4G-237-FS
压接式 Crimp	900137	902037
订货代码	FMK4G-237-MC	FMK4G-237-FC
极数 Suppression	37-pole	37-pole
电路图 Circuit diagram		

1 型号 Form 焊接式 Solder	910037	911037
订货代码	FMK4-237-MS	FMK4-237-FS
压接式 Crimp	910137	912037
订货代码	FMK4-237-MC	FMK4-237-FC
极数 Suppression	37-pole	37-pole
电路图 Circuit diagram		

压线范围 Wire diameter	8...11mm
2 技术参数 Technical data	
额定电压 Supply voltage	30V AC/DC
额定电流 Current per contact(40°C)	2A
温度范围 Temperature range	- 25...+ 85 °C
压线方式 Wiring method	冷压压接 (冷压针见下表) Crimp terminal

压线范围 Wire diameter	8...11mm
2 技术参数 Technical data	
额定电压 Supply voltage	30V AC/DC
额定电流 Current per contact(40°C)	2A
温度范围 Temperature range	- 25...+ 85 °C
压线方式 Wiring method	冷压压接 (冷压针见下表) Crimp terminal

针 Crimp contacts				
技术参数 Technical data 材质 Material: 铜镀银 / 金 Copper alloy silver/gold -plated 接触电阻 Contact resistance: ≤ 4 mΩ 接线形式 Terminal: 冷压接线 Crimp terminal	线径 Wire	AWG	车针 Machined Contacts (100 pieces / 包 pu)	
			型号 Form	订货号 Part No.
车针 Machined Contacts 	0.09-0.25mm ²	26-22	DAM-13	09670005576
	0.25-0.56mm ²	22-20	DAM-33	09670008576
	0.09-0.25mm ²	26-22	DAF-13	09670005476
	0.25-0.56mm ²	22-20	DAF-33	09670008476

针 Crimp contacts				
技术参数 Technical data 材质 Material: 铜镀银 / 金 Copper alloy silver/gold -plated 接触电阻 Contact resistance: ≤ 4 mΩ 接线形式 Terminal: 冷压接线 Crimp terminal	线径 Wire	AWG	车针 Machined Contacts (100 pieces / 包 pu)	
			型号 Form	订货号 Part No.
车针 Machined Contacts 	0.09-0.25mm ²	26-22	DAM-13	09670005576
	0.25-0.56mm ²	22-20	DAM-33	09670008576
	0.09-0.25mm ²	26-22	DAF-13	09670005476
	0.25-0.56mm ²	22-20	DAF-33	09670008476

备注 Notes

备注 Notes

D-SUB 50 Pin 连接器

D-SUB 50 Pin 连接器

屏蔽 Shielded
压接或焊接
Crimp / solder pins
壳体规格 Size : Size5G

插针 Male
180°



插孔 Female
180°



1 型号 Form 焊接式 Solder	900050	901050	
	订货代码	FMK5G-350-MS	FMK5G-350-FS
	压接式 Crimp	900150	902050
	订货代码	FMK5G-350-MC	FMK5G-350-FC
极数 Suppression	50-pole	50-pole	
电路图 Circuit diagram			

压线范围 Wire diameter	8...11mm
2 技术参数 Technical data	
额定电压 Supply voltage	30V AC/DC
额定电流 Current per contact(40°C)	2A
温度范围 Temperature range	- 25...+ 85 °C
压线方式 Wiring method	冷压压接 (冷压针见下表) Crimp terminal

针 Crimp contacts																							
<p>技术参数 Technical data</p> <p>材质 Material: 铜镀银 / 金 Copper alloy silver/gold -plated</p> <p>接触电阻 Contact resistance: ≤ 4 mΩ</p> <p>接线形式 Terminal: 冷压接线 Crimp terminal</p>	<table border="1"> <thead> <tr> <th rowspan="2">线径 Wire</th> <th rowspan="2">AWG</th> <th colspan="2">车针 Machined Contacts (100 pieces / 包 pu)</th> </tr> <tr> <th>型号 Form</th> <th>订货号 Part.No.</th> </tr> </thead> <tbody> <tr> <td>0.09-0.25mm²</td> <td>26-22</td> <td>DAM-13</td> <td>09670005576</td> </tr> <tr> <td>0.25-0.56mm²</td> <td>22-20</td> <td>DAM-33</td> <td>09670008576</td> </tr> <tr> <td>0.09-0.25mm²</td> <td>26-22</td> <td>DAF-13</td> <td>09670005476</td> </tr> <tr> <td>0.25-0.56mm²</td> <td>22-20</td> <td>DAF-33</td> <td>09670008476</td> </tr> </tbody> </table>	线径 Wire	AWG	车针 Machined Contacts (100 pieces / 包 pu)		型号 Form	订货号 Part.No.	0.09-0.25mm ²	26-22	DAM-13	09670005576	0.25-0.56mm ²	22-20	DAM-33	09670008576	0.09-0.25mm ²	26-22	DAF-13	09670005476	0.25-0.56mm ²	22-20	DAF-33	09670008476
线径 Wire	AWG			车针 Machined Contacts (100 pieces / 包 pu)																			
		型号 Form	订货号 Part.No.																				
0.09-0.25mm ²	26-22	DAM-13	09670005576																				
0.25-0.56mm ²	22-20	DAM-33	09670008576																				
0.09-0.25mm ²	26-22	DAF-13	09670005476																				
0.25-0.56mm ²	22-20	DAF-33	09670008476																				
<p>车针 Machined Contacts</p>																							

备注 Notes

屏蔽 Shielded
压接或焊接
Crimp / solder pins
壳体规格 Size : Size5

插针 Male
45°



插孔 Female
45°



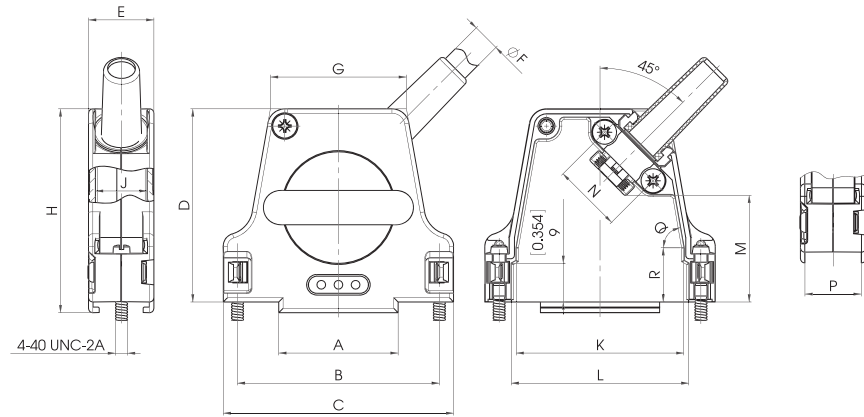
1 型号 Form 焊接式 Solder	910050	911050	
	订货代码	FMK5-350-MS	FMK5-350-FS
	压接式 Crimp	910150	912050
	订货代码	FMK5-350-MC	FMK5-350-FC
极数 Suppression	50-pole	50-pole	
电路图 Circuit diagram			

压线范围 Wire diameter	8...11mm
2 技术参数 Technical data	
额定电压 Supply voltage	30V AC/DC
额定电流 Current per contact(40°C)	2A
温度范围 Temperature range	- 25...+ 85 °C
压线方式 Wiring method	冷压压接 (冷压针见下表) Crimp terminal

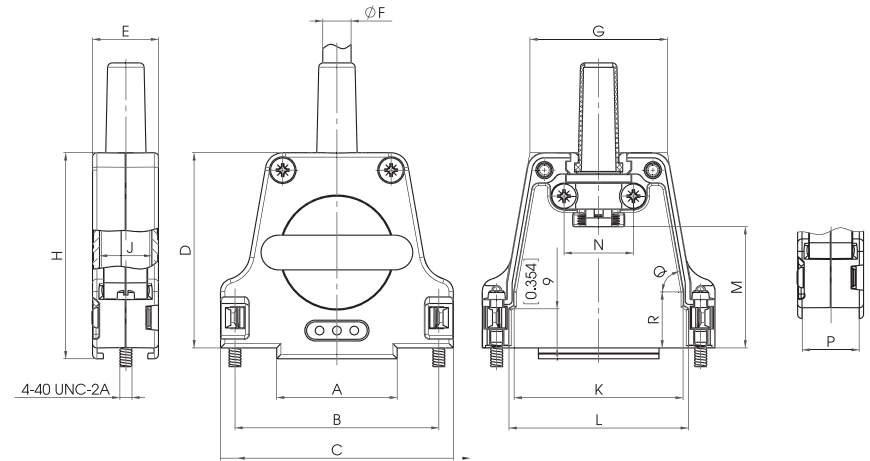
针 Crimp contacts																							
<p>技术参数 Technical data</p> <p>材质 Material: 铜镀银 / 金 Copper alloy silver/gold -plated</p> <p>接触电阻 Contact resistance: ≤ 4 mΩ</p> <p>接线形式 Terminal: 冷压接线 Crimp terminal</p>	<table border="1"> <thead> <tr> <th rowspan="2">线径 Wire</th> <th rowspan="2">AWG</th> <th colspan="2">车针 Machined Contacts (100 pieces / 包 pu)</th> </tr> <tr> <th>型号 Form</th> <th>订货号 Part.No.</th> </tr> </thead> <tbody> <tr> <td>0.09-0.25mm²</td> <td>26-22</td> <td>DAM-13</td> <td>09670005576</td> </tr> <tr> <td>0.25-0.56mm²</td> <td>22-20</td> <td>DAM-33</td> <td>09670008576</td> </tr> <tr> <td>0.09-0.25mm²</td> <td>26-22</td> <td>DAF-13</td> <td>09670005476</td> </tr> <tr> <td>0.25-0.56mm²</td> <td>22-20</td> <td>DAF-33</td> <td>09670008476</td> </tr> </tbody> </table>	线径 Wire	AWG	车针 Machined Contacts (100 pieces / 包 pu)		型号 Form	订货号 Part.No.	0.09-0.25mm ²	26-22	DAM-13	09670005576	0.25-0.56mm ²	22-20	DAM-33	09670008576	0.09-0.25mm ²	26-22	DAF-13	09670005476	0.25-0.56mm ²	22-20	DAF-33	09670008476
线径 Wire	AWG			车针 Machined Contacts (100 pieces / 包 pu)																			
		型号 Form	订货号 Part.No.																				
0.09-0.25mm ²	26-22	DAM-13	09670005576																				
0.25-0.56mm ²	22-20	DAM-33	09670008576																				
0.09-0.25mm ²	26-22	DAF-13	09670005476																				
0.25-0.56mm ²	22-20	DAF-33	09670008476																				
<p>车针 Machined Contacts</p>																							

备注 Notes

45°出线



180°出线



壳体规格 Size	特征 Features	Shell Size/for	A	B	C	D	E	Ø F		G	H	J	K	L	M	N	P	Q	R	
								不带橡胶套	带橡胶套											
SIZE1		1 / 9	14.9	25.0	31.6	39.5	15.2	3.0 - 9.5	6.5	20.8	42.0	12.1	17.0	19.4	23.0	12.0	13.1			
SIZE2-1		2 / 15	15.9	33.3	40.0	41.0	15.2	3.0 - 8.5	6.5	23.3	43.5	12.1	25.8	27.9	21.0	16.0	13.1	84°		
SIZE2-2	大外径 Large cable outlet	2 / 15	15.9	33.3	40.0	41.0	15.2	8.5 - 12.5	9.0	23.3	43.5	12.1	25.8	27.9	21.0	16.0	13.1	84°		
SIZE3-1		3 / 25	27.8	47.0	53.7	45.0	15.2	3.0 - 8.5	8.0	31.7	47.5	12.1	39.0	41.4	25.0	16.0	13.0	80°	12.9	
SIZE3-2	大外径 Large cable outlet	3 / 25	27.8	47.0	53.7	45.0	15.2	8.5 - 12.5	9.0	31.7	47.5	12.1	39.0	41.4	25.0	16.0	13.0	80°	12.9	
SIZE4-1		4 / 37	44.3	63.5	70.2	48.0	18.2	3.0 - 12.0	9.0	48.2	50.5	15.1	55.5	57.8	23.2	21.0	12.7	80°	16.1	
SIZE4-2	大外径 Large cable outlet	4 / 37	44.3	63.5	70.2	48.0	18.2	12.0 - 15.0	11.5	48.2	50.5	15.1	55.5	57.8	23.2	21.0	12.7	80°	16.1	
SIZE5-1		5 / 50	41.9	61.1	67.8	48.0	18.2	3.0 - 12.0	9.7	45.8	50.5	15.1	53.1	55.5	23.2	21.0	15.9	80°	16.1	
SIZE5-2	大外径 Large cable outlet	5 / 50	41.9	61.1	67.8	48.0	18.2	12.0 - 15.0	11.5	45.8	50.5	15.1	53.1	55.5	23.2	21.0	15.9	80°	16.1	

技术参数 Technical data

材质 Material and platings Zinc die-cast, nickel plated
 温度范围 Temperature range -35°C bis 100°C (-67°F to 212°F)
 最大锁紧力 max. torque * 40 Ncm (0.295 ft.lb.)

* Not for locking screws

壳体规格 Size	特征 Features	Shell Size/for	A	B	C	D	E	Ø F		G	H	J	K	L	M	N	P	Q	R	
								不带橡胶套	带橡胶套											
SIZE1G		1 / 9	14.9	25.0	31.6	39.5	15.2	3.0 - 9.5	6.5	20.8	42.0	12.1	17.0	19.4	23.5	12.0	13.1			
SIZE2G-1		2 / 15	15.9	33.3	40.0	41.0	15.2	3.0 - 8.5	6.5	23.3	43.5	12.1	25.8	27.9	19.0	16.0	13.1	84°		
SIZE2G-2	大外径 Large cable outlet	2 / 15	15.9	33.3	40.0	41.0	15.2	8.5 - 12.5	9.0	23.3	43.5	12.1	25.8	27.9	19.0	16.0	13.1	84°		
SIZE3G-1		3 / 25	27.8	47.0	53.7	45.0	15.2	3.0 - 8.5	8.0	31.7	47.5	12.1	39.0	41.4	28.0	16.0	13.1	80°	12.9	
SIZE3G-2	大外径 Large cable outlet	3 / 25	27.8	47.0	53.7	45.0	15.2	8.5 - 12.5	9.0	31.7	47.5	12.1	39.0	41.4	28.0	16.0	13.1	80°	12.9	
SIZE4G-1		4 / 37	44.3	63.5	70.2	48.0	18.2	3.0 - 12.0	9.0	48.2	50.5	15.1	55.5	57.8	32.5	21.0	12.7	80°	16.1	
SIZE4G-2	大外径 Large cable outlet	4 / 37	44.3	63.5	70.2	48.0	18.2	12.0 - 15.0	11.5	48.2	50.5	15.1	55.5	57.8	32.5	21.0	12.7	80°	16.1	
SIZE5G-1		5 / 50	41.9	61.1	67.8	48.0	18.2	3.0 - 12.0	9.7	45.8	50.5	15.1	53.1	55.5	32.5	21.0	15.9	80°	16.1	
SIZE5G-2	大外径 Large cable outlet	5 / 50	41.9	61.1	67.8	48.0	18.2	12.0 - 15.0	11.5	45.8	50.5	15.1	53.1	55.5	32.5	21.0	15.9	80°	16.1	

技术参数 Technical data

材质 Material and platings Zinc die-cast, nickel plated
 温度范围 Temperature range -35°C bis 100°C (-67°F to 212°F)
 最大锁紧力 max. torque * 40 Ncm (0.295 ft.lb.)

* Not for locking screws

屏蔽 Shielded
螺钉压接
With screw terminals

插针 Male
45°

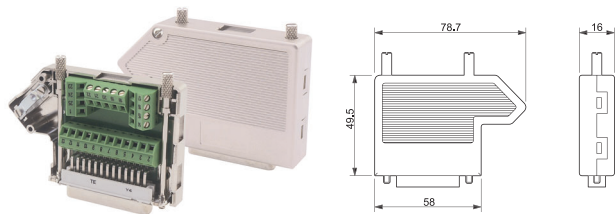


插孔 Female
45°



1 型号 Form	955251	955253	955255	955252	955254	955256
订货代码	FMK3G-225-MP	FMK3G-225-MP-A	FMK3G-225-MP-B	FMK3G-225-FP	FMK3G-225-FP-A	FMK3G-225-FP-B
极数 Suppression	25-pole			25-pole		
螺丝规格 Specification	M3	VC-40	M2.6	M3	VC-40	M2.6
电路图 Circuit diagram	<p>插针 Male 25 Pin</p>			<p>插孔 Female 25 Pin</p>		
压线范围 Wire diameter	4...10mm					

2 技术参数 Technical data						
额定电压 Supply voltage	50V AC/DC					
额定电流 Current per contact(40°C)	1A					
温度范围 Temperature range	- 20...+ 75 °C					
压线方式 Wiring method	螺钉压接 With screw terminals					



订货号 Part No.

可参考: 1.0.1
Reference: 1.0.1

1 型号 Form

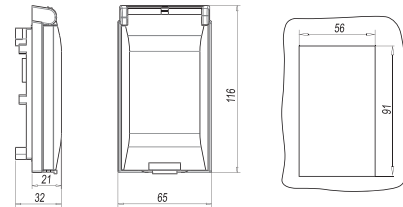
备注 Notes

RJ45 & USB连接器 CONNECTOR

名称 Identification	订货号 Part No.	外型尺寸 Dimensions (mm)
RJ45 面板底座 (扣手式) Panel feed through	945215103	
RJ45 面板底座 (扣手式) Panel feed through	945215108	
RJ45 4芯公插头 (扣手式)	945115100	
RJ45 8芯公插头 (扣手式)	945115108	
RJ45 直通式双网口插 RJ45 female socket straight dual ethernet ports	999091	
USB2.0 母座 USB2.0 female socket	999101	



外形尺寸 Overall dimension 开孔尺寸 Panel cut out



其它信息 Other information
 材质 Housing frame and cover: Plastic PC + ABS
 防尘防水等级 Degree of protection IP54
 环境温度 Ambient temperature -5...+55°C
 储存温度 Storing temperature -20...+60°C

选型对照图 Selection of control chart



订货号 Part No. : 9145209
 国标电源插座、RJ45 网口、USB 和 D-SUB-9

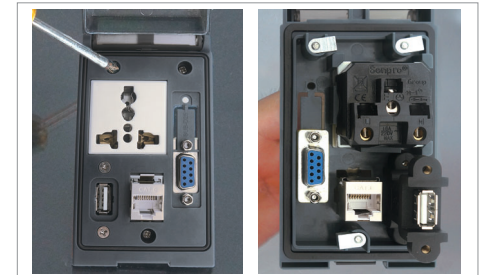
订货号 Part No. : 9145209U
 万能插座、RJ45 网口、USB 和 D-SUB-9

订货号 Part No. : 9145209EU
 欧标电源插座、RJ45 网口、USB 和 D-SUB-9

安装流程 Installation process



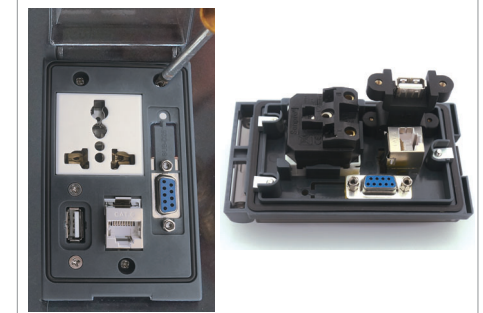
第一步：将 MSDD 装入切口
 No.1: Put MSDD into a cut-out



第二步：拧松螺丝
 No.2: Loosen the screw



第三步：调节螺母位置
 No.3: Adjust ntu position



第四步：拧紧螺丝
 No.4: Tighten the screw

CE RoHS compliant

订货号 Part No.	9145209	9145215	9145225	9145200	9145000	9100000
型号 Type	FAS-PURD-1	FAS-PURD-2	FAS-PURD-3	FAS-PRU	FAS-PR	FAS-P
接口数量 Interface						
20A 电源插座 Power	1	1	1	1	1	1
RJ45 网口	1	1	1	1	1	/
USB 2.0 / 3.0	1	1	1	1	/	/
D-SUB-9	1	/	/	/	/	/
D-SUB-15 (三排)	/	1	/	/	/	/
D-SUB-25	/	/	1	/	/	/

备注：订货号后缀增加“U”，表示通讯面板中电源插座为10A万能插座。例：9145209U，FAS-PURD-1U
 订货号后缀增加“EU”，表示通讯面板中电源插座为16A欧标插座。例：9145209EU，FAS-PURD-1EU

9045209	9045215	9045225	9045200	9045309	9045415	9045325
FAS-URD-1	FAS-URD-2	FAS-URD-3	FAS-RU	FAS-RUD-1	FAS-RUD-2	FAS-RUD-4
/	/	/	/	/	/	/
2	2	2	1	1	1	1
1	1	1	1	1	1	1
1	/	/	/	1	/	/
/	1	/	/	/	1	/
/	/	1	/	/	/	1